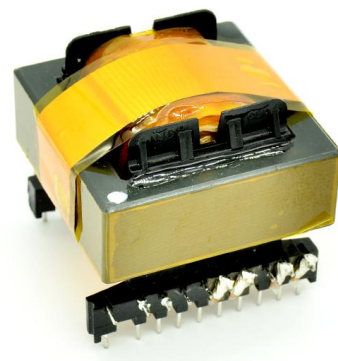


THT POWER TRANSFORMERS

EE Series – Horizontal

Features

- High power density and high efficiency/高功率密度，高效率
- Multiple-output is available/多路输出
- Operating frequency up to 500kHz/最大工作频率 500kHz
- Power up to 10kW/最大功率 10kW
- High power series EE55, EE65, EE70/大功率系列 EE55, EE65, EE70
- Custom designs available/客户定制



Application

- Solar inverter, Server, Amplifier/太阳能逆变器，服务器，音响功放
- Network, POE, Router/网络产品，POE，路由器
- Elevator emergency power supply, /电梯应急电源
- Electric vehicle charging pile/电动汽车充电桩电源
- Medical instrument power supply/医疗仪器电源
- Variable-frequency drive/变频器
- Industrial power supply/工业电源
- High end LED power supply/高端 LED 电源
- High end charger and USB/高端 USB 充电器
- Smart home electronics/智能家用电器
- Electrical power equipment/电力设备
- Test instrument/测试仪器

Specifications

Size	Fig .	A (Max.)	B (Max.)	C (Max.)	D (Nom.)	E (Nom.)	F (Nom.)	Pins (Optional)	fsw (kHz)	Power (W) ²
EEH8.3	1	10.0	10.0	7.5	2.5	6.0	Φ0.5	3+3	100	3
EEH10	2	12.0	14.0	12.0	2.5	10.5	Φ0.5	4+4	100	3-5
EEH13	3	16.0	16.0	15.0	2.54	10.2	Φ0.5	5+5	100	5-10
EEH16	2	18.0	16.0	17.0	3.0	11.0	Φ0.6	4+4	100	15-20
EEH19	4	23.0	19.0	18.0	5.0	13.2	Φ0.7	4+4	100	20-30
EEH25	5	28.0	28.0	24.0	5.0	15.1	Φ0.8	5+5	100	30-50
EEH30	6	34.0	38.0	23.0	5.0	25.0	Φ0.8	6+6	100	50-100
EEH40	7	43.0	36.0	31.0	5.0	25.8	Φ0.8	7+7	100	200-500
EEH55	8	57.0	61.0	53.0	5.0	45.0	Φ1.0	10+10	100	1000-3000
EEH65	9	69.0	67.0	61.0	5.0	45.5	Φ1.0	10+10	100	3000-5000
EEH70	10	77.0	70.0	70.0	5.0	50.0	Φ1.2	9+9	100	5000-8000

1. Operating Temperature: -40°C~+125°C(Includes temperature when the coil is heated).

2. Output power is only for reference at switching frequency 100kHz.

THT POWER TRANSFORMERS

EE Series – Horizontal

Mechanical

Fig. 1

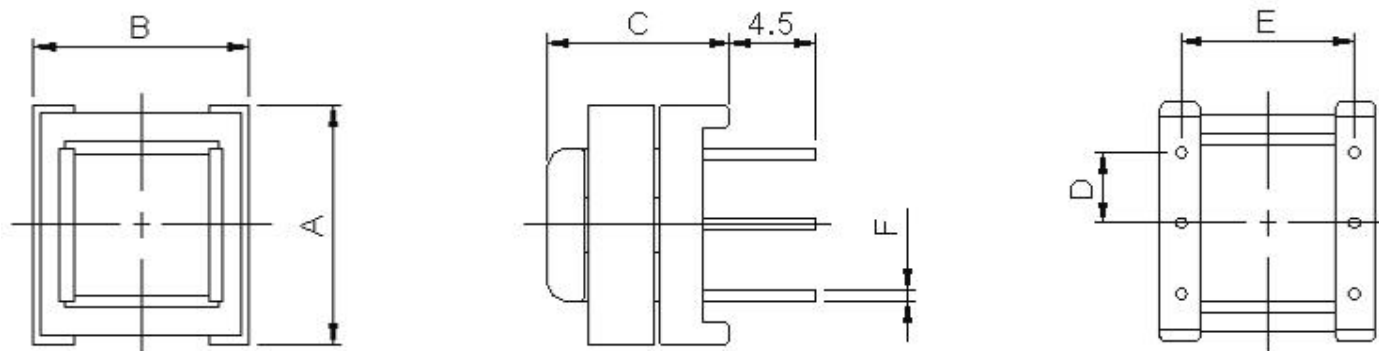


Fig. 2

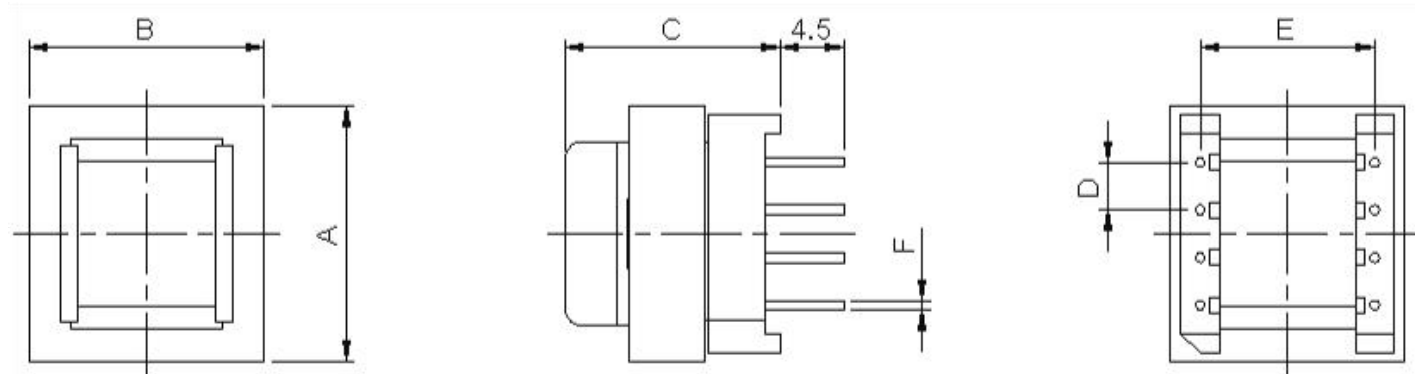


Fig. 3

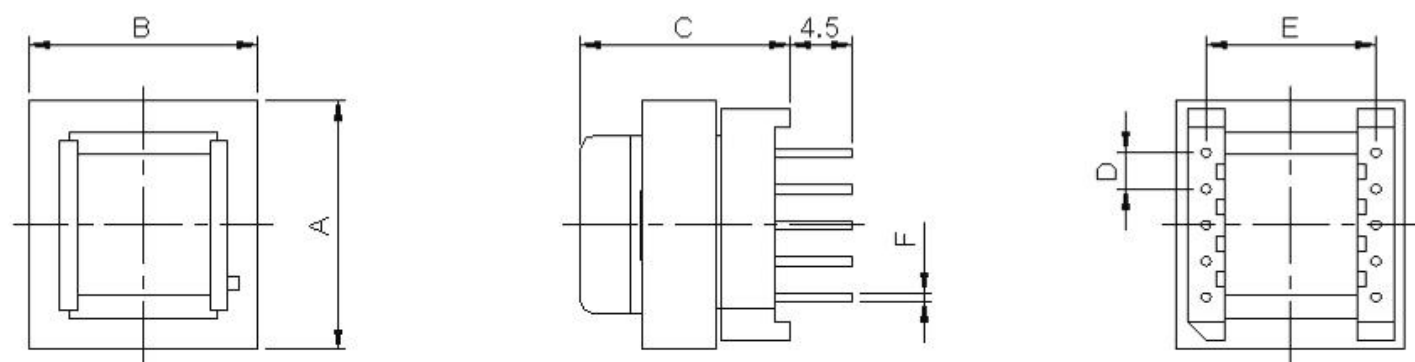
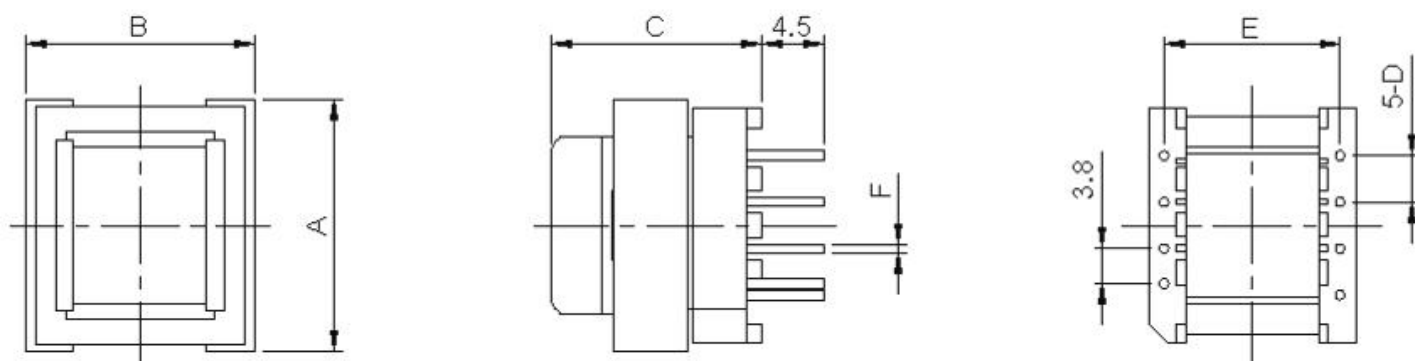


Fig. 4



THT POWER TRANSFORMERS

EE Series – Horizontal

Fig. 5

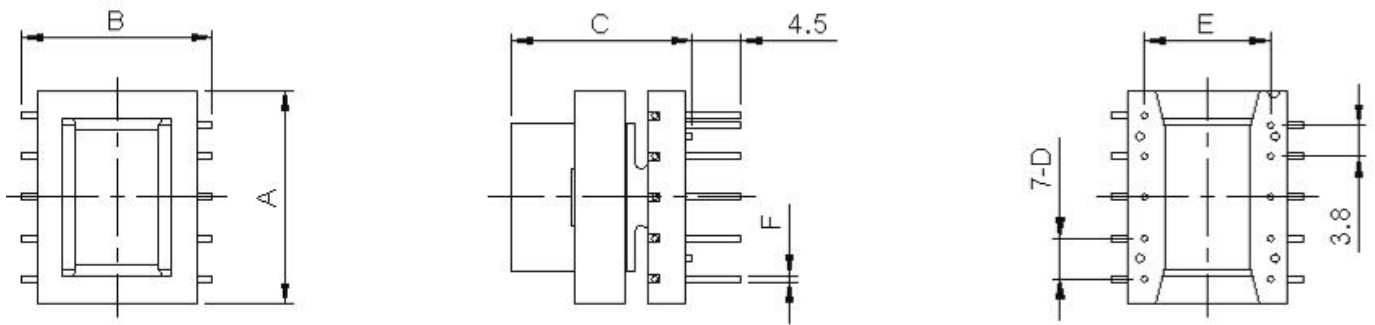


Fig. 6

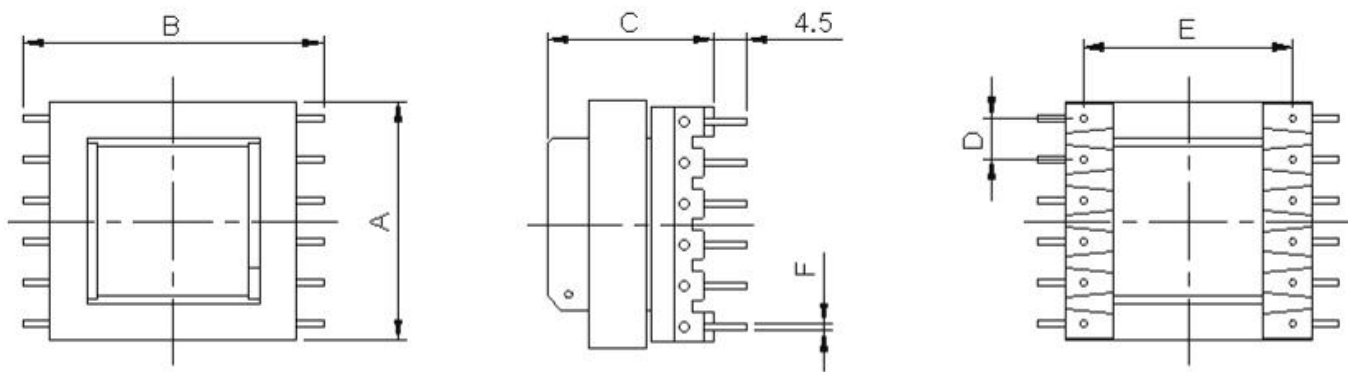


Fig. 7

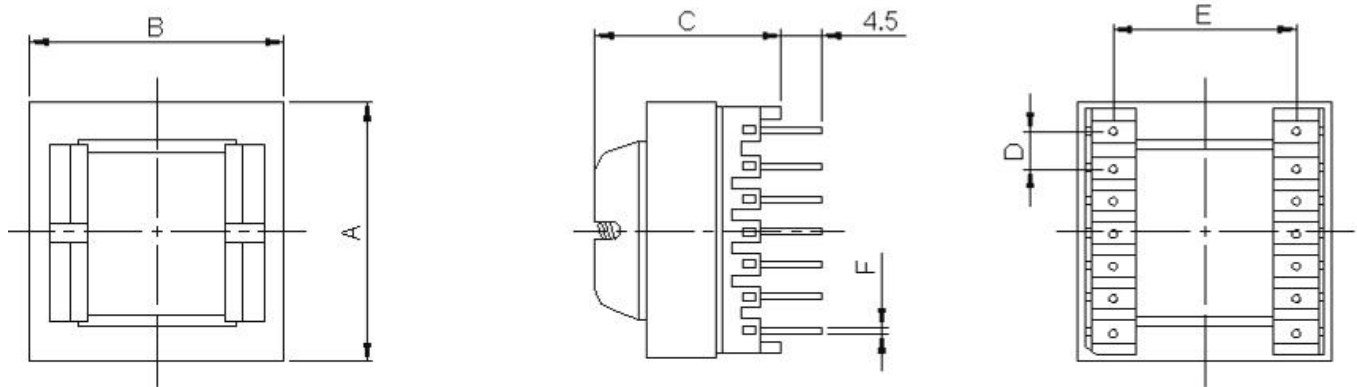
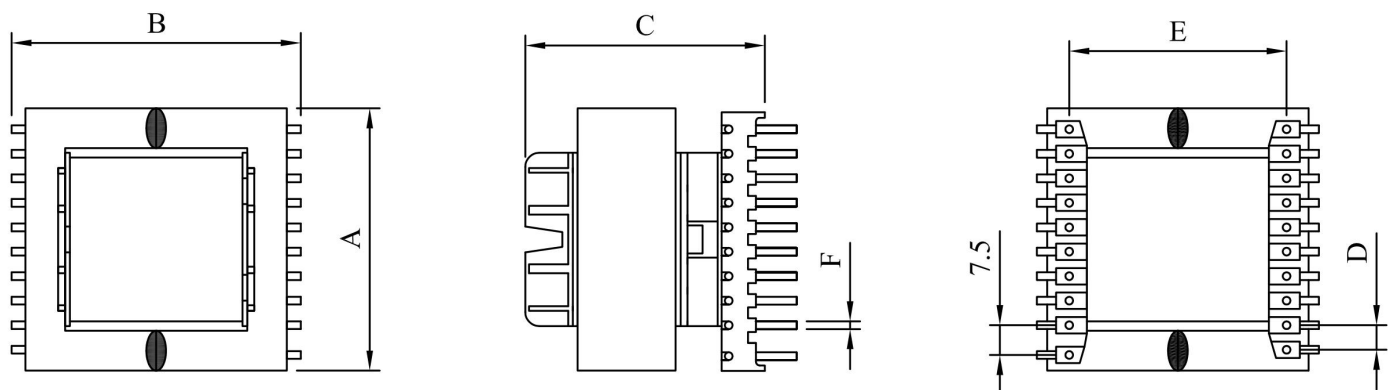


Fig. 8 EEH55



THT POWER TRANSFORMERS

EE Series – Horizontal

Fig. 9 EEH65

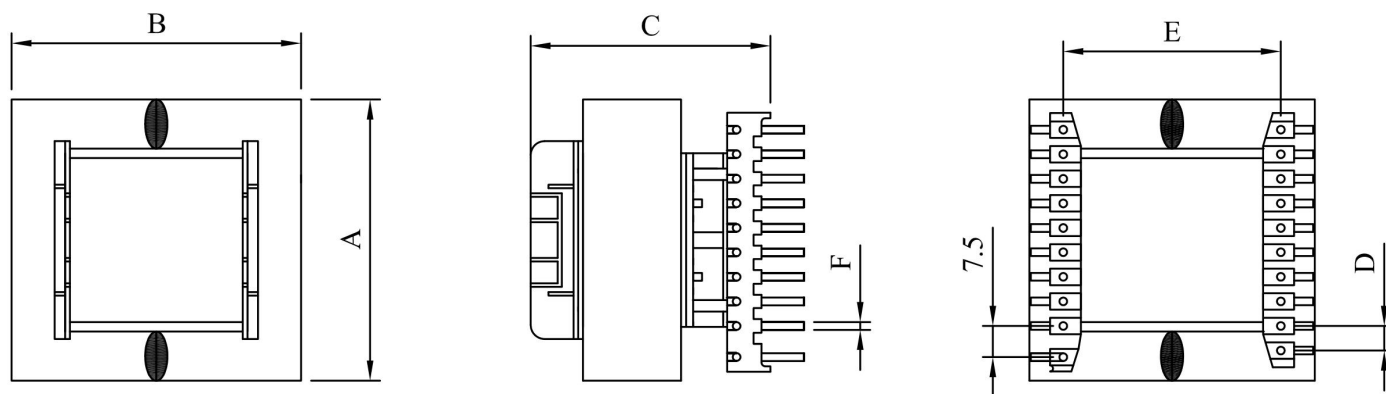
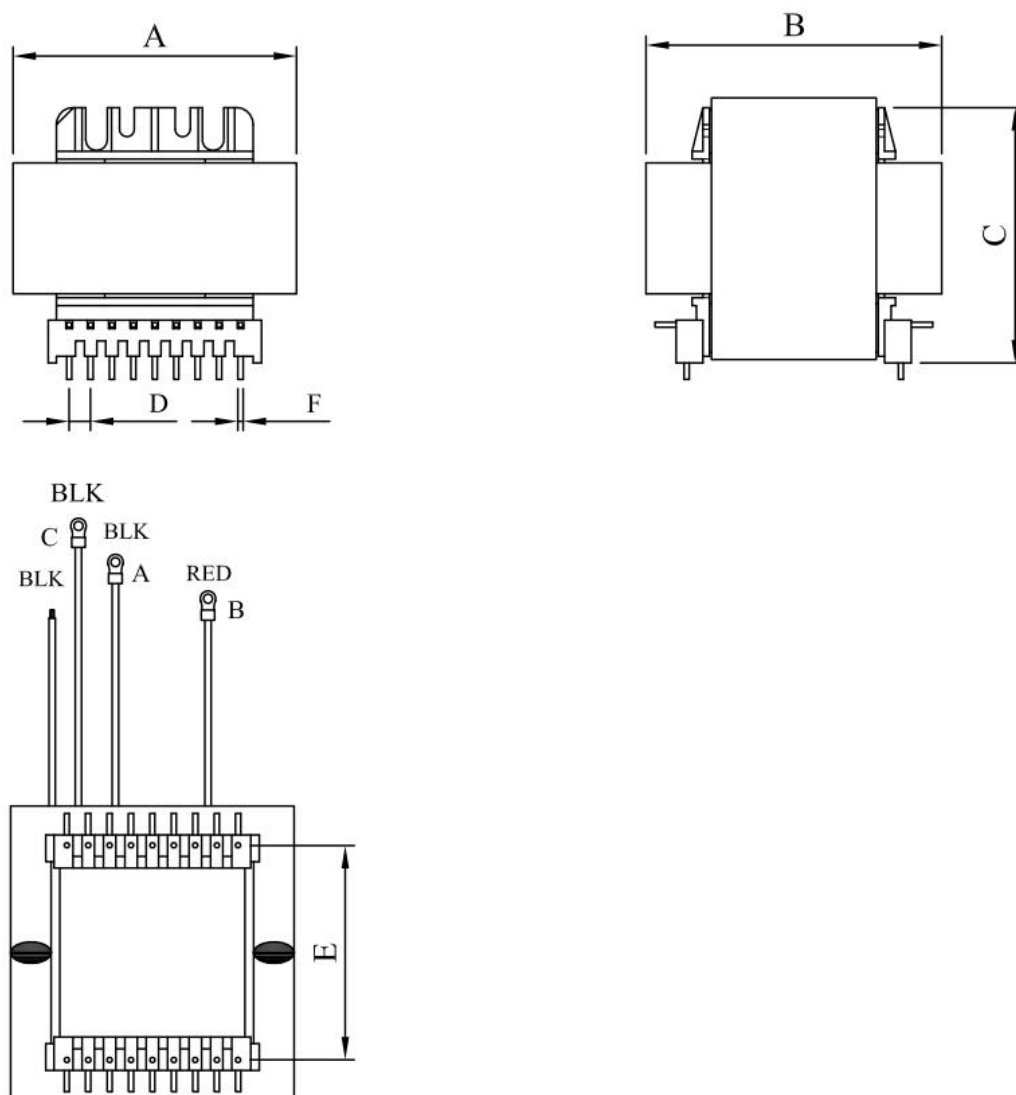


Fig. 10 EEH70



THT POWER TRANSFORMERS

EE Series – Vertical

Features

- High power density and high efficiency/高功率密度，高效率
- Multiple-output is available/多路输出
- Operating frequency up to 500kHz/最大工作频率 500kHz
- Power up to 3kW/最大功率 3kW
- Custom designs available/客户定制



Application

- Solar inverter, Server, Amplifier/太阳能逆变器，服务器，音响功放
- Network, POE, Router/网络产品，POE，路由器
- Elevator emergency power supply, /电梯应急电源
- Electric vehicle charging pile/电动汽车充电桩电源
- Medical instrument power supply/医疗仪器电源
- Variable-frequency drive/变频器
- Industrial power supply/工业电源
- High end LED power supply/高端 LED 电源
- High end charger and USB/高端 USB 充电器
- Smart home electronics/智能家用电器
- Electrical power equipment/电力设备
- Test instrument/测试仪器

Specifications

Size	Fig.	A (Max.)	B (Max.)	C (Max.)	D (Nom.)	E (Nom.)	F (Nom.)	Pins (Optional)	fsw (kHz)	Power (W) ²
EE8.3	1	10.0	10.0	10.0	2.5	6.0	Φ0.5	3+3	100	3-5
EE10	2	12.0	12.0	13.0	2.5	8.0	Φ0.5	4+4	100	5-10
EE13	3	14.0	14.0	13.0	2.5	8.5	Φ0.6	5+5	100	10-15
EE16	3	19.0	15.0	18.0	3.2	10.5	Φ0.6	5+5	100	15-20
EE19	3	24.0	18.0	19.0	3.8	12.6	Φ0.7	5+5	100	20-30
EE25	3	30.0	30.0	24.0	5.0	15.2	Φ0.8	5+5	100	30-50
EE30	4	33.0	32.0	24.0	5.0	20.0	Φ0.8	6+6	100	50-100
EE40	4	43.0	30.0	36.0	5.0	22.5	Φ0.8	6+6	100	150-300
EE42	5	47.0	36.0	51.0	5.0	27.5	Φ1.0	9+9	100	300-500

1. Operating Temperature: -40°C~+125°C(Includes temperature when the coil is heated).

2. Output power is only for reference at switching frequency 100kHz.

THT POWER TRANSFORMERS

EE Series – Vertical

Mechanical

Fig. 1

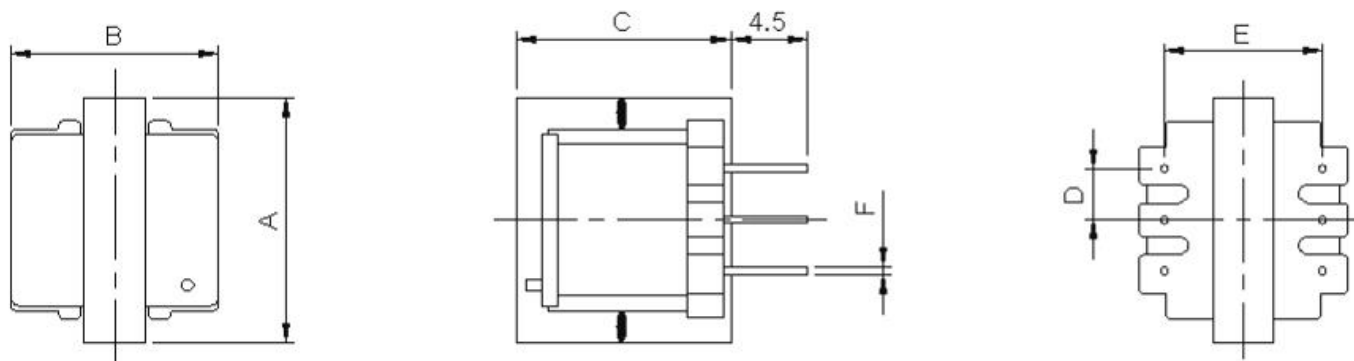


Fig. 2

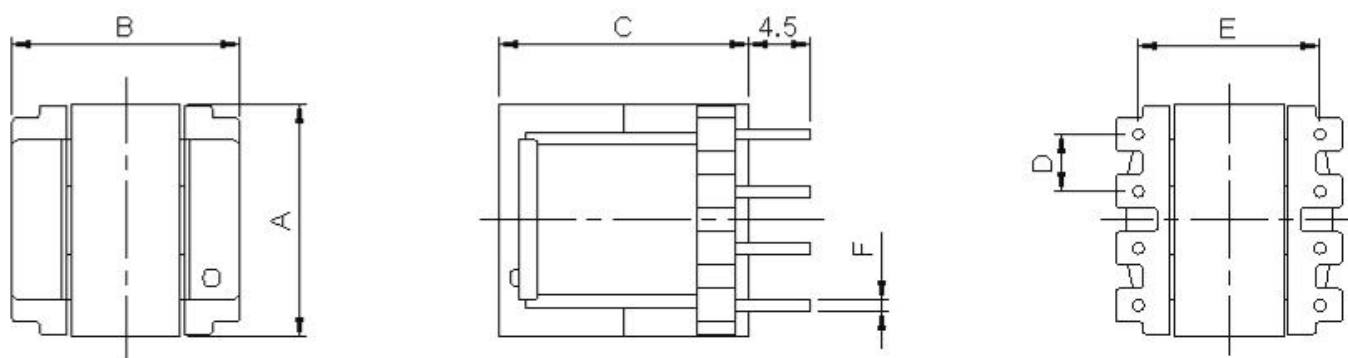


Fig. 3

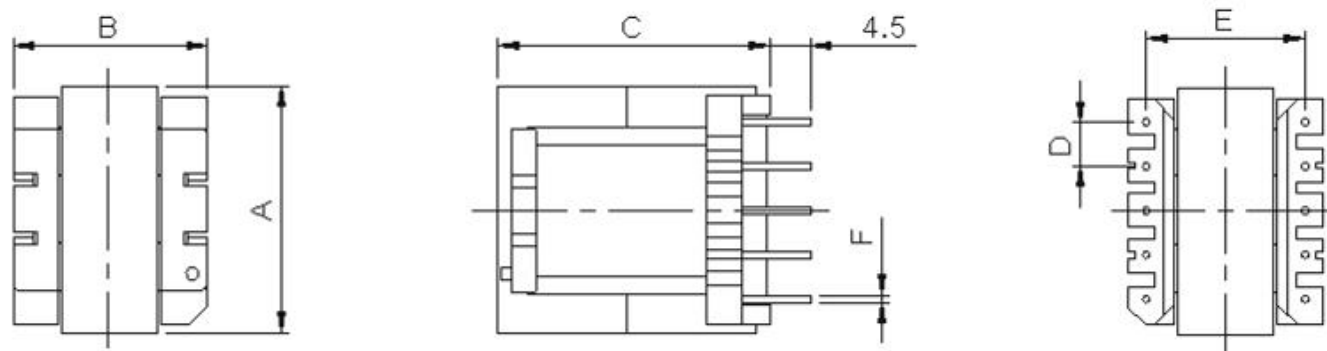
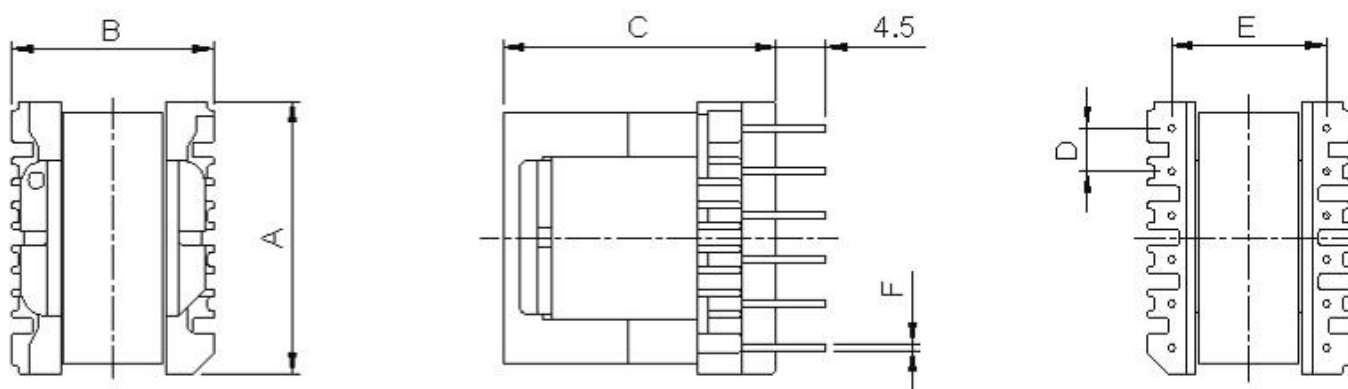


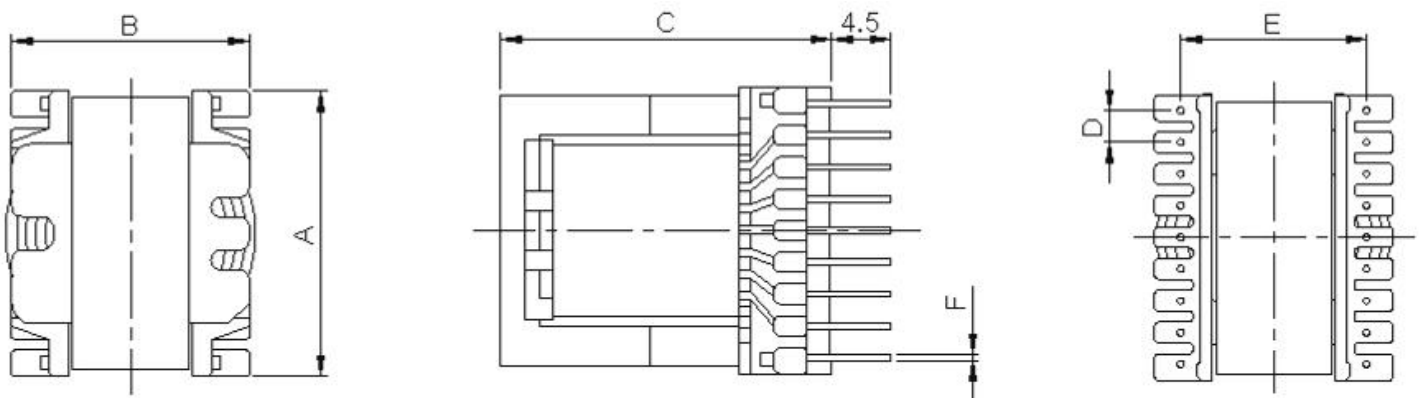
Fig. 4



THT POWER TRANSFORMERS

EE Series – Vertical

Fig. 5



THT POWER TRANSFORMERS

ER Series – Vertical

Features

- High power density and high efficiency/高功率密度，高效率
- Multiple-output is available/多路输出
- Operating frequency up to 500kHz/最大工作频率 500kHz
- Power up to 5kW/最大功率 5kW
- High power series ER49, ER53/大功率系列 ER49, ER53
- Custom designs available/客户定制



Application

- Solar inverter, Server, Amplifier/太阳能逆变器，服务器，音响功放
- Network, POE, Router/网络产品，POE，路由器
- Elevator emergency power supply, /电梯应急电源
- Medical instrument power supply/医疗仪器电源
- Variable-frequency drive/变频器
- Industrial power supply/工业电源
- High end LED power supply/高端 LED 电源
- High end charger and USB/高端 USB 充电器
- Smart home electronics/智能家用电器
- Electrical power equipment/电力设备
- Test instrument/测试仪器

Specifications

Size	Fig.	A (Max.)	B (Max.)	C (Max.)	D (Nom.)	E (Nom.)	F (Nom.)	Pins (Optional)	fsw (kHz)	Power (W) ²
ER28-1	1	29.5	25.0	22.5	5.0	17.5	Φ0.8	5+5	100	30-50
ER28-2	1	29.5	25.0	32.0	5.0	17.5	Φ0.8	5+5	100	40-60
ER28L	3	31.5	28.5	37.5	5.0	20.0	Φ0.8	6+6	100	40-80
ER35	3	36.5	30.0	38.0	5.0	22.5	Φ1.0	6+6	100	200-400
	3	36.5	30.0	45.0	5.0	22.5	Φ1.0	6+6	100	200-500
ER35L	2	36.5	30.0	45.0	5.0	22.5	Φ1.0	7+7	100	200-500
	4	41.0	34.0	46.0	5.0	25.2	Φ1.0	6+6	100	400-800
ER39	2	41.0	34.0	52.0	5.0	25.2	Φ1.0	7+7	100	400-800
	5	44.0	32.0	49.5	5.0	25.0	Φ1.0	7+7	100	500-1000
ER42	5	44.0	32.0	49.5	5.0	25.0	Φ1.0	7+7	100	500-1000
ER49	6	51.5	38.5	57.5	5.0	27.5	Φ1.0	9+9	100	1000-2000
ER53	7	56.0	41.5	51.5	5.0	32.5	Φ1.0	9+9	100	3000-5000

1. Operating Temperature: -40°C~+125°C(Includes temperature when the coil is heated).

2. Output power is only for reference at switching frequency 100kHz.

THT POWER TRANSFORMERS

ER Series – Vertical

Mechanical

Fig. 1

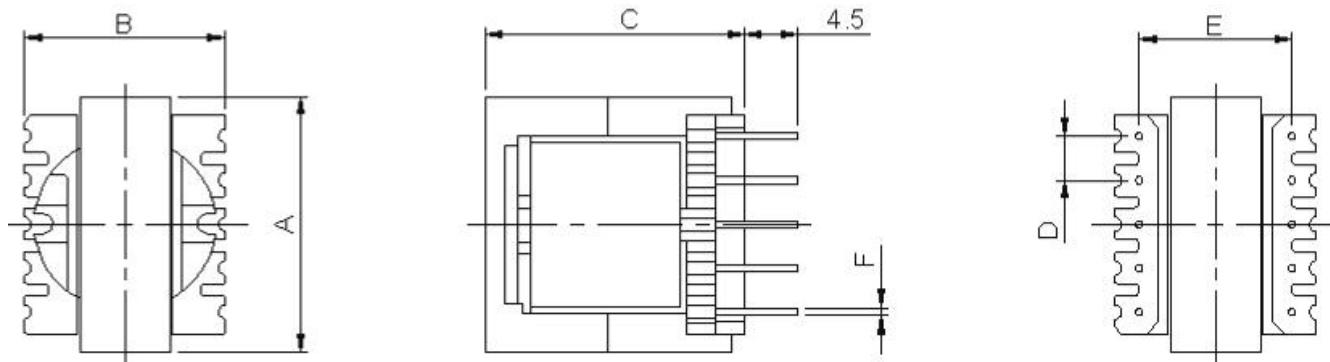


Fig. 2

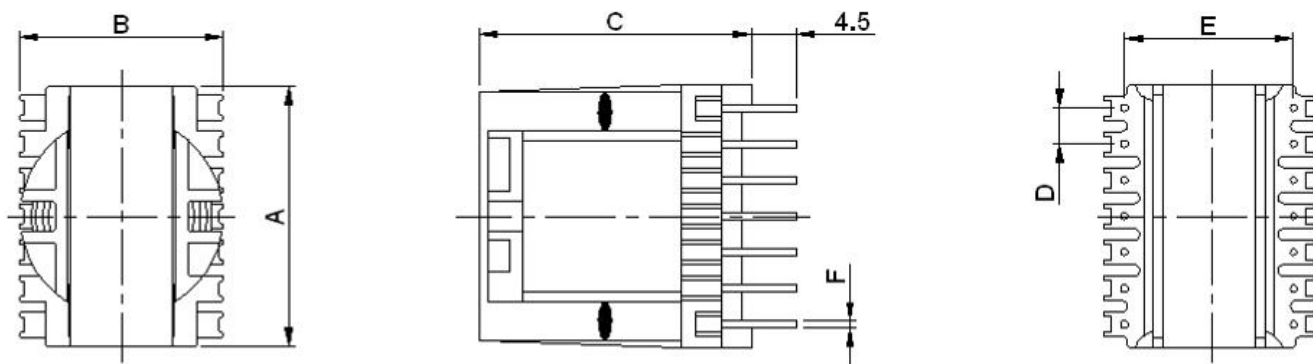


Fig. 3

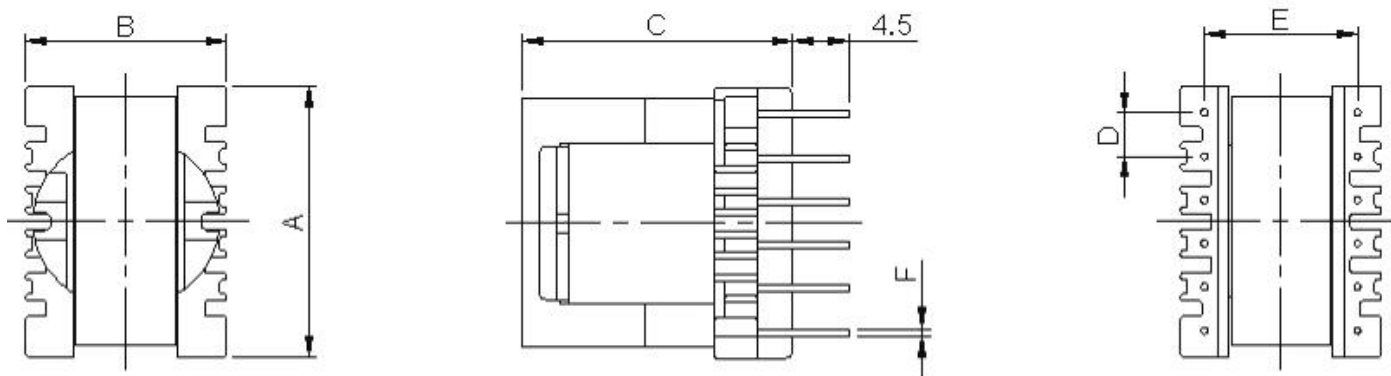
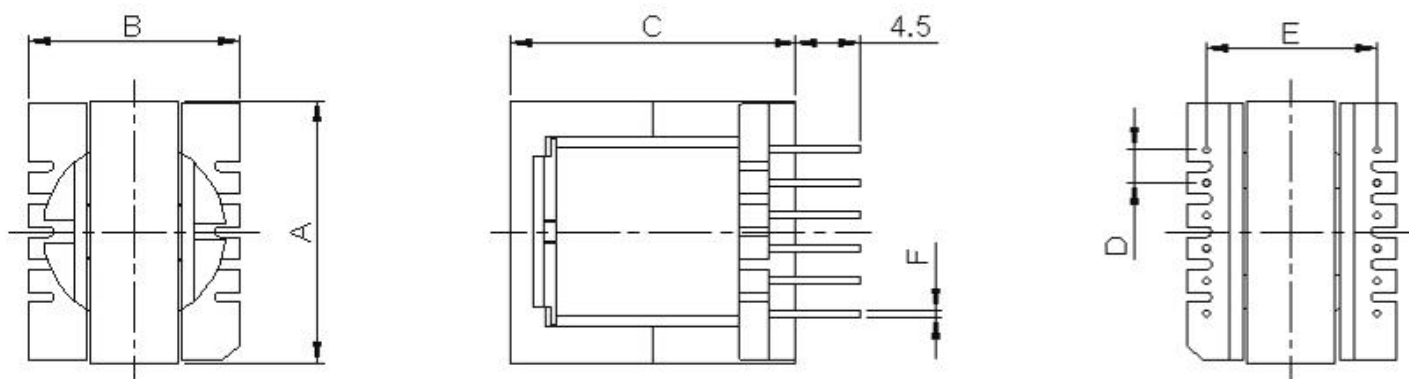


Fig. 4



THT POWER TRANSFORMERS

ER Series – Vertical

Fig. 5

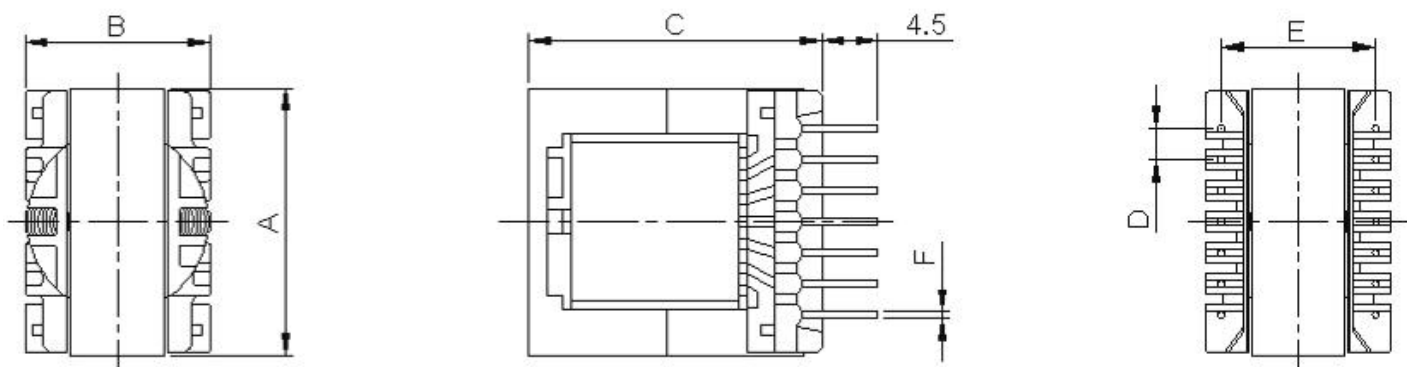


Fig. 6 ER49

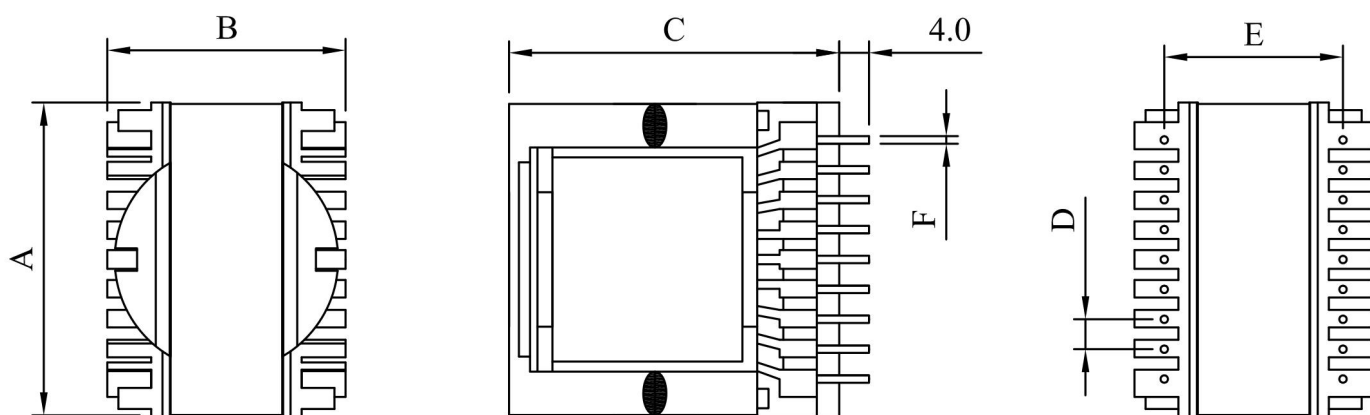
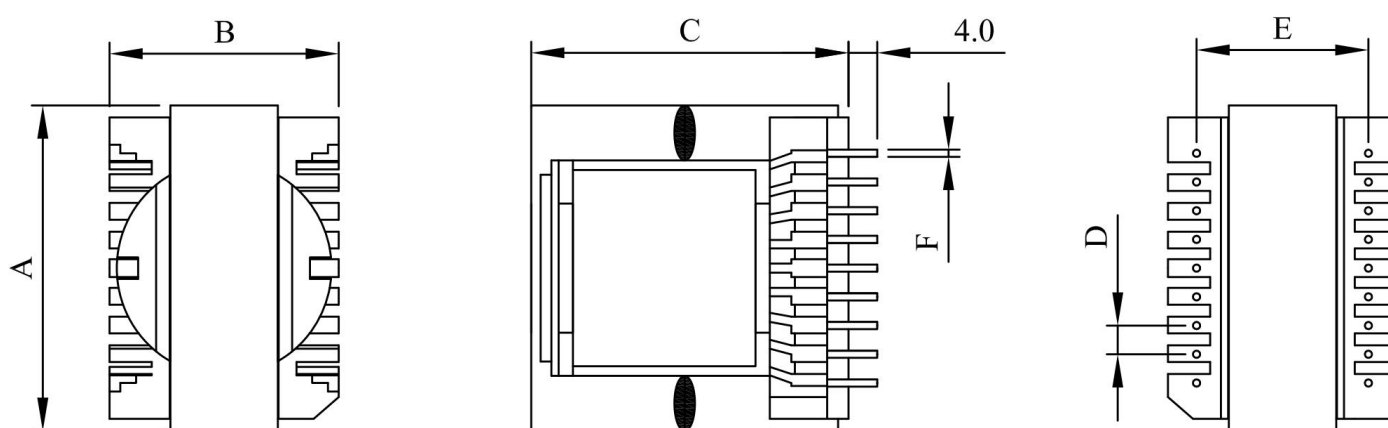


Fig. 7 ER53



THT POWER TRANSFORMERS

ER Series – Horizontal

Features

- High power density and high efficiency/高功率密度，高效率
- Multiple-output is available/多路输出
- Operating frequency up to 500kHz/最大工作频率 500kHz
- Power up to 3kW/最大功率 3kW
- Custom designs available/客户定制



Application

- Solar inverter, Server, Amplifier/太阳能逆变器，服务器，音响功放
- Network, POE, Router/网络产品，POE，路由器
- Elevator emergency power supply, /电梯应急电源
- Medical instrument power supply/医疗仪器电源
- Variable-frequency drive/变频器
- Industrial power supply/工业电源
- High end LED power supply/高端 LED 电源
- High end charger and USB/高端 USB 充电器
- Smart home electronics/智能家用电器
- Electrical power equipment/电力设备
- Test instrument/测试仪器

Specifications

Size	Fig.	A (Max.)	B (Max.)	C (Max.)	D (Nom.)	E (Nom.)	F (Nom.)	Pins (Optional)	fsw (kHz)	Power (W) ²
ERH28	1	31.0	31.0	26.0	5.0	25.0	Φ0.8	6+6	100	40-60
ERH28-1	2	34.0	36.0	25.0	4.0	26.5	Φ0.8	9+9	100	40-60
ERH28-2	3	30.0	35.0	25.0	Fig.3	Fig.3	Φ0.5	13+11	100	40-60
ERH28L	1	32.0	39.0	28.0	5.0	30.0	Φ0.8	6+6	100	40-80
ERH34	4	44.0	37.5	25.5	2.5	25.5	Φ0.8	16+16	100	100-200
ERH35	5	42.0	45.0	33.0	5.0	35.0	Φ1.0	8+8	100	200-400
ERH40	5	42.0	48.0	33.0	5.0	35.2	Φ1.0	8+8	100	400-800
ERH42	5	44.5	46.0	36.0	5.0	35.0	Φ1.0	8+8	100	800-1500
ERH42-1	6	44.0	46.0	39.0	5.0	34.5	Φ1.0	7+7	100	1000-3000

1. Operating Temperature: -40°C~+125°C(Includes temperature when the coil is heated).

2. Output power is only for reference at switching frequency 100kHz.

THT POWER TRANSFORMERS

ER Series – Horizontal

Mechanical

Fig. 1

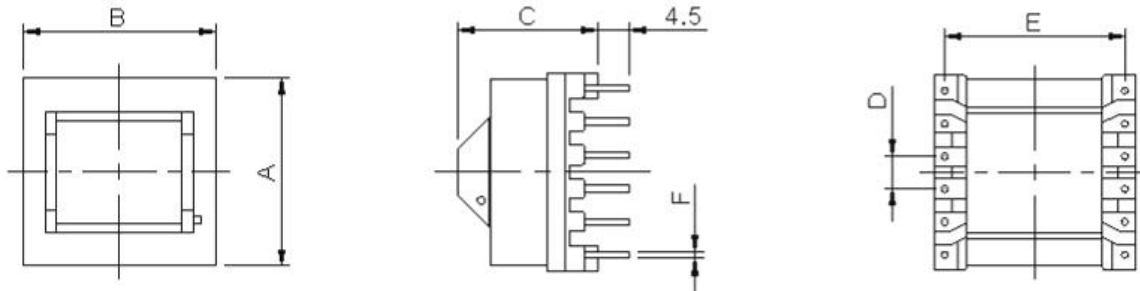


Fig. 2

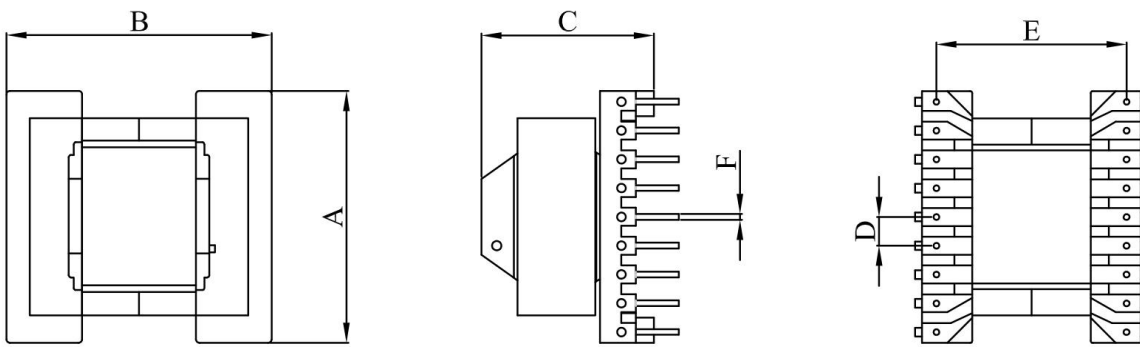


Fig. 3

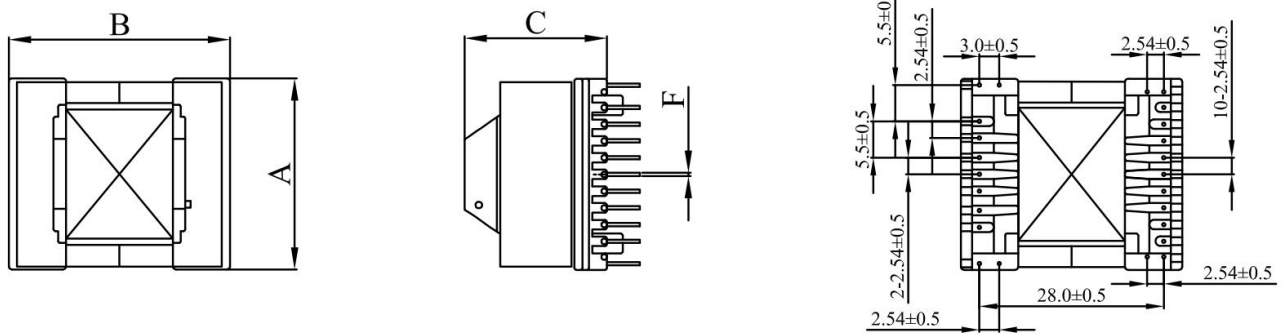
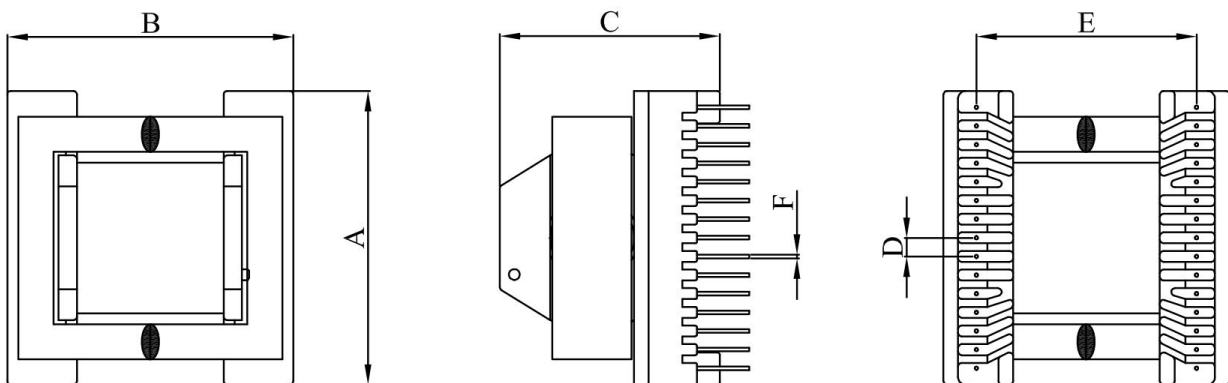


Fig. 4



THT POWER TRANSFORMERS

ER Series – Horizontal

Fig. 5

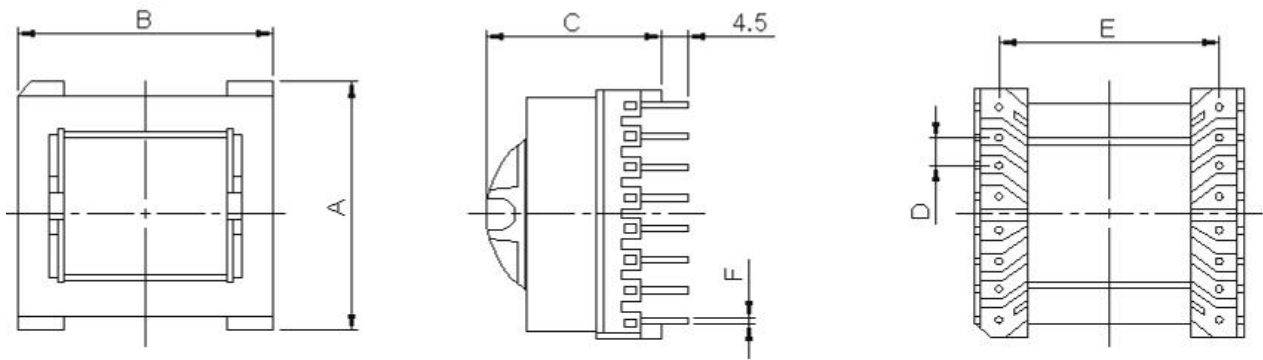
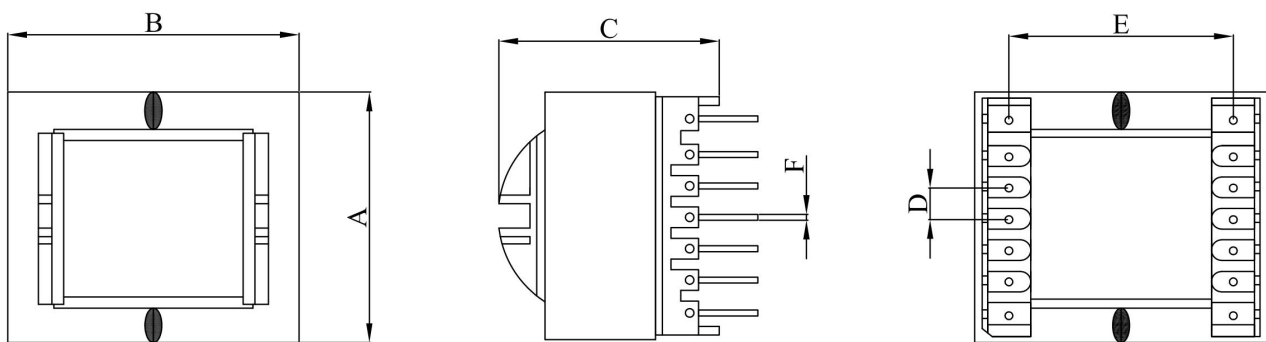


Fig. 6



THT POWER TRANSFORMERS

ETD Series

Features

- High power density and high efficiency/高功率密度，高效率
- Multiple-output is available/多路输出
- Operating frequency up to 500kHz/最大工作频率 500kHz
- Power up to 6kW/最大功率 6kW
- Custom designs available/客户定制



Application

- Solar inverter, Server, Amplifier/太阳能逆变器，服务器，音响功放
- Network, POE, Router/网络产品，POE，路由器
- Elevator emergency power supply, /电梯应急电源
- Electric vehicle charging pile/电动汽车充电桩电源
- Medical instrument power supply/医疗仪器电源
- Variable-frequency drive/变频器
- Industrial power supply/工业电源
- High end LED power supply/高端 LED 电源
- High end charger and USB/高端 USB 充电器
- Smart home electronics/智能家用电器
- Electrical power equipment/电力设备
- Test instrument/测试仪器

Specifications

Size	Fig.	A (Max.)	B (Max.)	C (Max.)	D (Nom.)	E (Nom.)	F (Nom.)	Pins (Optional)	fsw (kHz)	Power (W) ²
ETD29	1	36.5	36.5	26.0	5.0	25.5	Φ0.8	7+7	100	30-60
ETD34-1	1	41.0	41.0	32.0	5.0	25.5	Φ0.8	7+7	100	80-150
ETD34-2	2	36.0	36.0	27.5	5.0	30.2	Φ0.8	7+7	100	80-150
ETD34-3	3	36.0	36.0	26.0	5.5	28.0	Φ0.8	6+6	100	80-150
ETD34-4	4	44.0	37.5	25.5	2.5	25.5	Φ0.8	16+16	100	80-150
ETD39	5	45.5	45.0	37.0	5.0	30.2	Φ1.0	8+8	100	150-300
ETD44-1	6	51.0	52.5	41.0	5.0	35.8	Φ1.0	9+9	100	300-1000
ETD44-2	7	46.0	48.0	29.0	5.0	35.0	Φ0.8	8+8	100	300-1000
ETD49	8	56.0	58.0	42.0	5.0	41.0	Φ1.0	10+10	100	800-2000
ETD54	9	62.5	62.5	46.0	5.08	46.0	Φ1.0	11+11	100	2000-4000
ETD59	10	68.0	67.5	50.0	5.08	50.8	Φ1.0	13+13	100	3000-6000

1. Operating Temperature: -40°C~+125°C(Includes temperature when the coil is heated).

2. Output power is only for reference at switching frequency 100kHz.

THT POWER TRANSFORMERS

ETD Series

Mechanical

Fig. 1

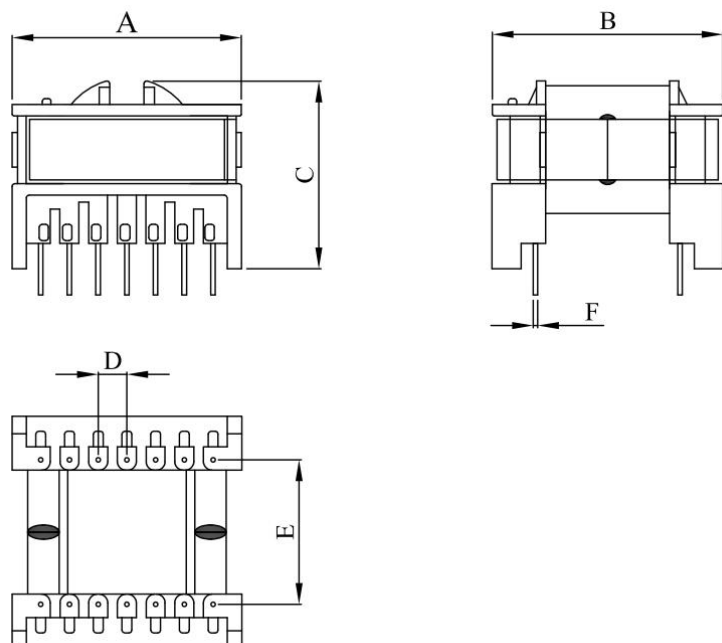
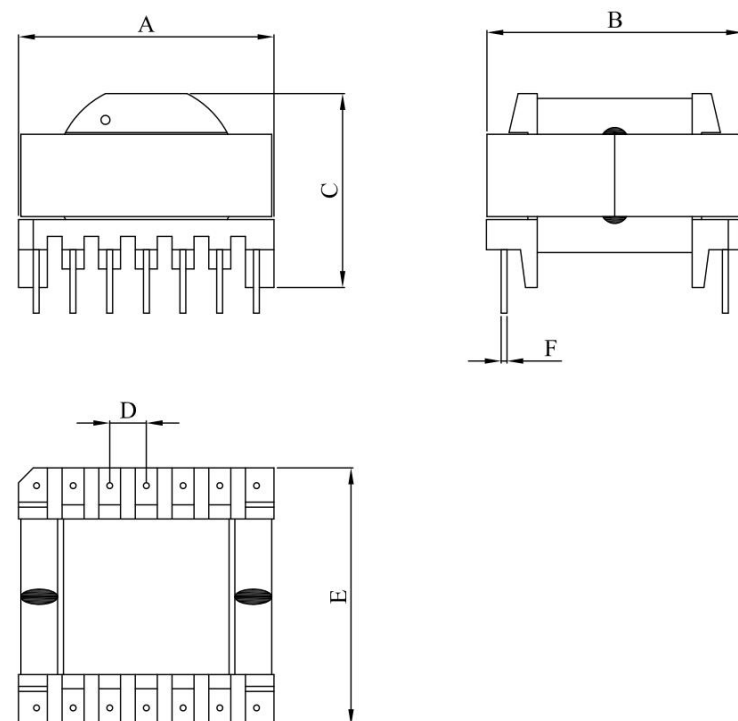


Fig. 2 ETD34-2



THT POWER TRANSFORMERS

ETD Series

Fig. 3 ETD34-3

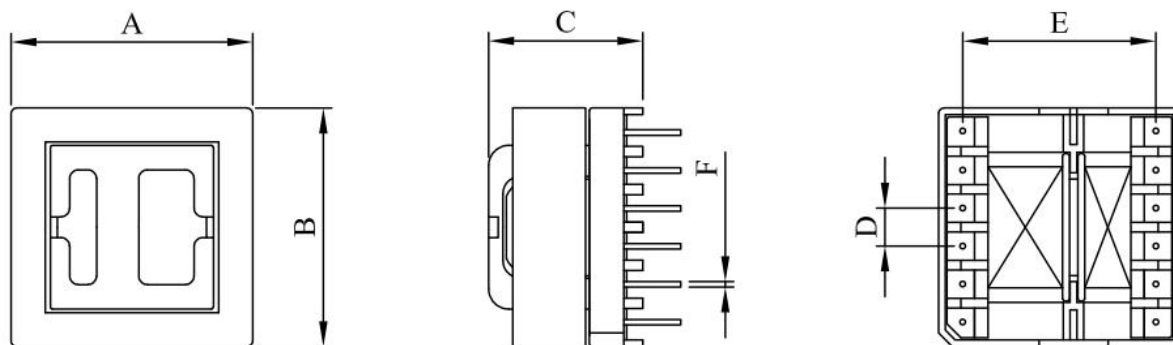


Fig. 4 ETD34-4

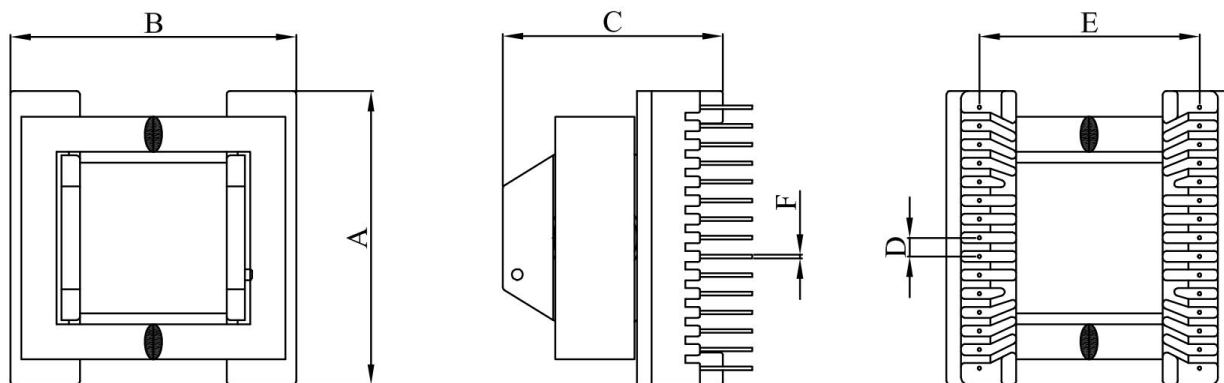
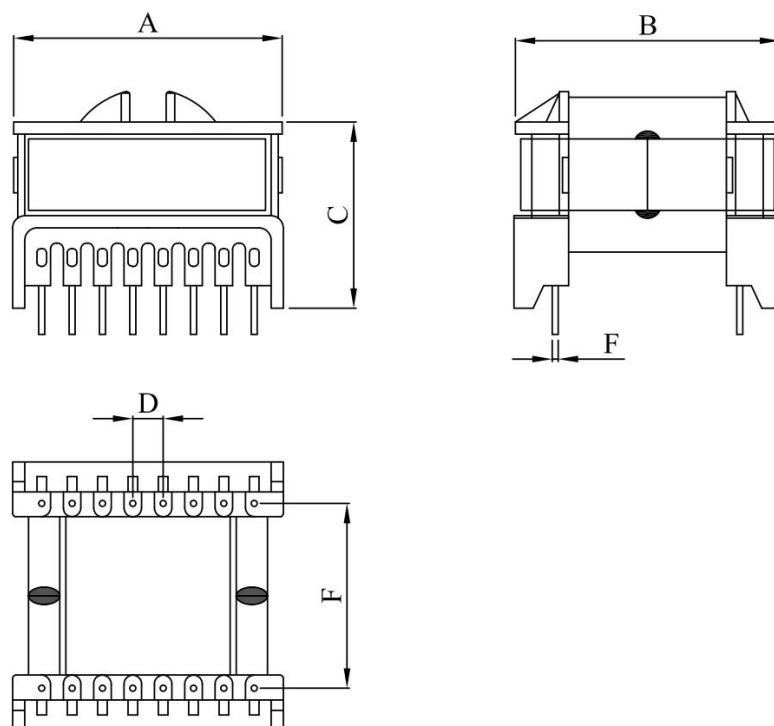


Fig. 5 ETD39



THT POWER TRANSFORMERS

ETD Series

Fig. 6 ETD44-1

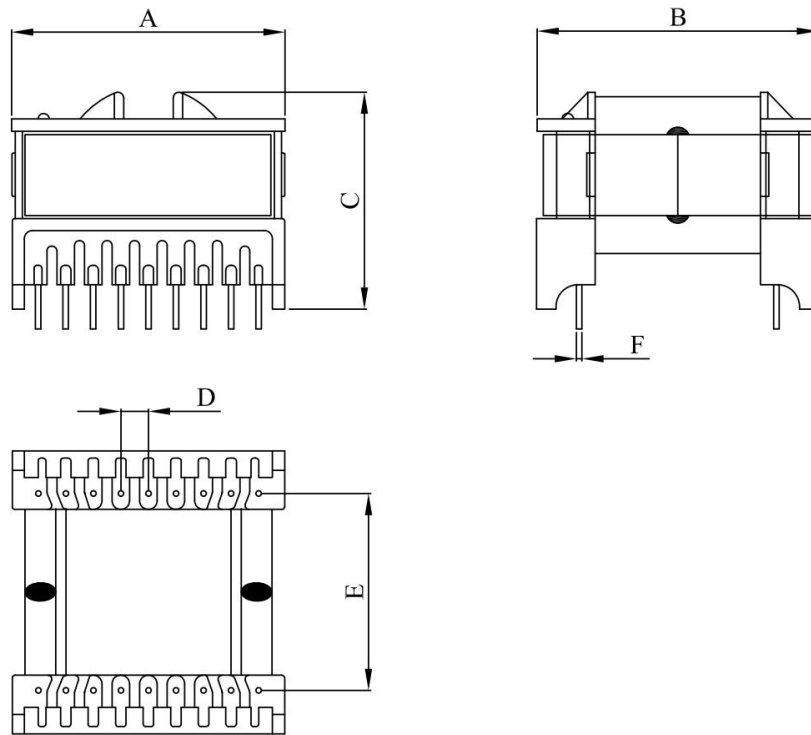
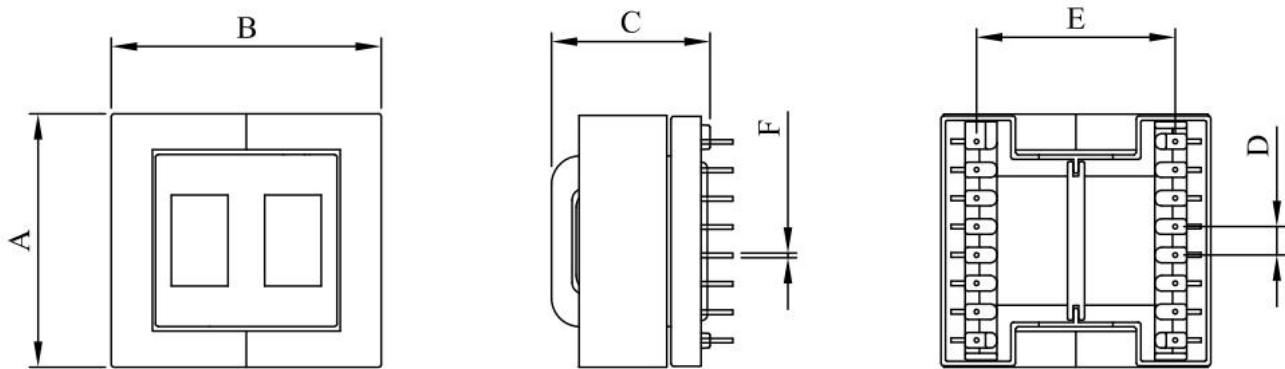


Fig. 7 ETD44-2



THT POWER TRANSFORMERS

ETD Series

Fig. 8 ETD49

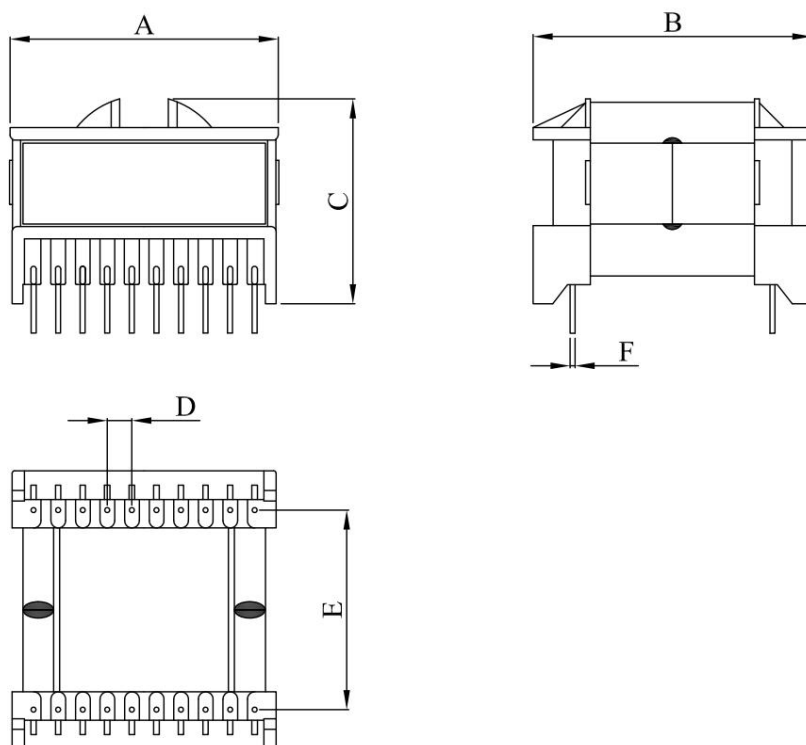
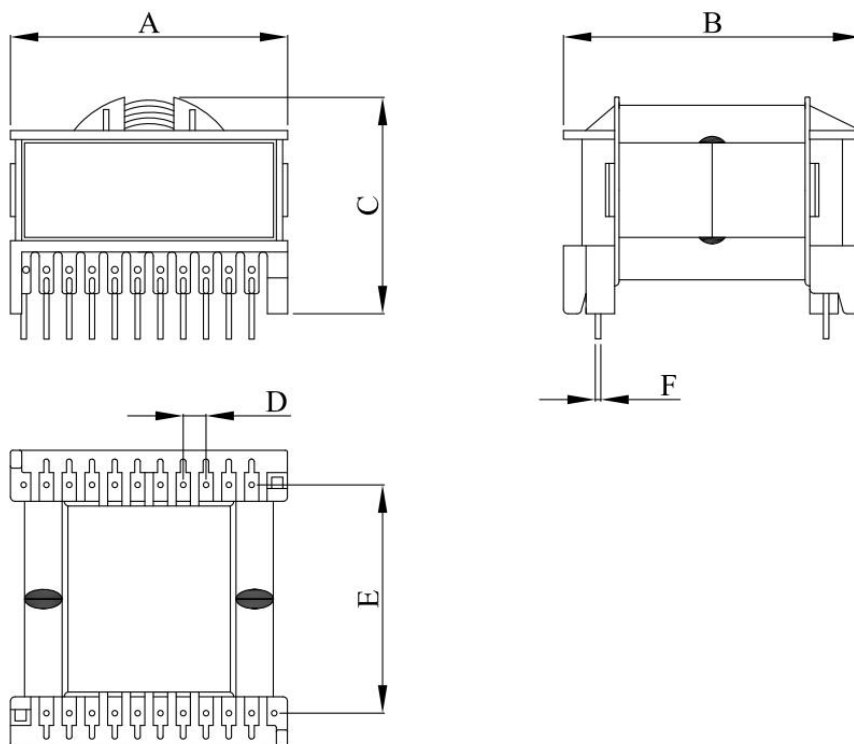


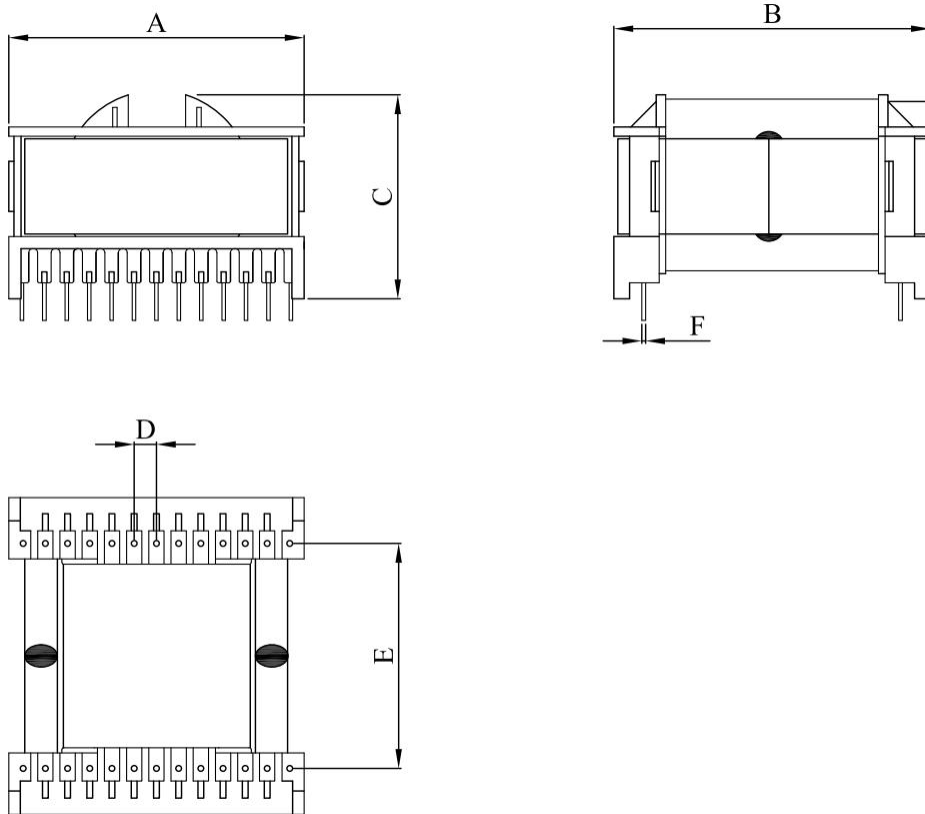
Fig. 9 ETD54



THT POWER TRANSFORMERS

ETD Series

Fig. 10 ETD59

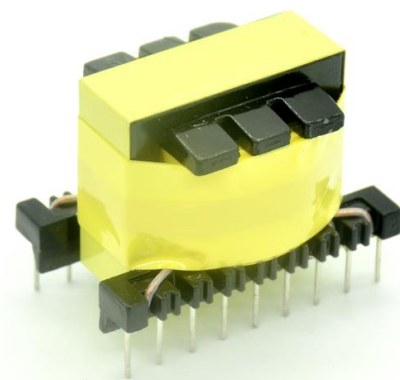


THT POWER TRANSFORMERS

EI Series –Vertical

Features

- High power density and high efficiency/高功率密度，高效率
- Multiple-output is available/多路输出
- Operating frequency up to 500kHz/最大工作频率 500kHz
- Power up to 3kW/最大功率 3kW
- Custom designs available/客户定制



Application

- Solar inverter, Server, Amplifier/太阳能逆变器，服务器，音响功放
- Network, POE, Router/网络产品，POE，路由器
- Elevator emergency power supply, /电梯应急电源
- Medical instrument power supply/医疗仪器电源
- Variable-frequency drive/变频器
- Industrial power supply/工业电源
- High end LED power supply/高端 LED 电源
- High end charger and USB/高端 USB 充电器
- Smart home electronics/智能家用电器
- Electrical power equipment/电力设备
- Test instrument/测试仪器

Specifications

Size	Fig.	A (Max.)	B (Max.)	C (Max.)	D (Nom.)	E (Nom.)	F (Nom.)	Pins (Optional)	fsw (kHz)	Power (W) ²
EI13	1	15.0	14.0	12.0	2.5	7.5	Φ0.6	5+5	100	5-10
EI16	1	18.0	15.0	18.0	3.25	10.5	Φ0.6	5+5	100	10-15
EI19	1	24.0	18.0	20.0	4.0	10.0	Φ0.8	5+5	100	15-20
EI22	1	24.0	18.0	21.0	4.0	10.3	Φ0.8	5+5	100	25-35
EI25	2	27.0	19.0	23.0	5.0	15.2	Φ0.8	4+4	100	30-50
EI28	1	30.0	24.0	24.0	5.0	17.5	Φ0.8	5+5	100	40-60
EI33-1	3	30.0	30.0	30.5	5.0	22.5	Φ0.8	6+6	100	60-100
EI33-2	4	35.0	28.5	30.5	5.0	22.5	Φ0.8	7+7	100	60-100
EI33-3	5	40.0	29.5	30.5	5.0	22.5	Φ0.8	8+8	100	60-100
EI33-4	6	46.5	31.0	31.0	5.0	22.5	Φ0.8	9+9	100	60-100
EI35	7	36.5	29.0	30.0	5.0	20.0	Φ0.8	7+7	100	80-150
EI40-1	3	41.5	29.0	36.5	5.0	22.5	Φ0.8	6+6	100	200-500
EI40-2	5	42.5	29.5	38.0	5.0	22.5	Φ0.8	8+8	100	200-500

1. Operating Temperature: -40°C~+125°C(Includes temperature when the coil is heated).

2. Output power is only for reference at switching frequency 100kHz.

THT POWER TRANSFORMERS

EI Series – Vertical

Mechanical

Fig. 1

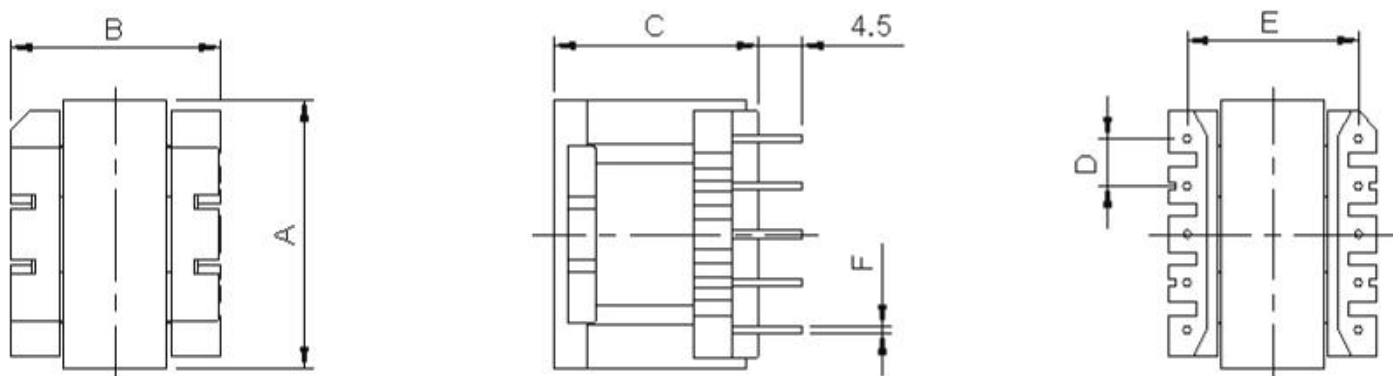


Fig. 2

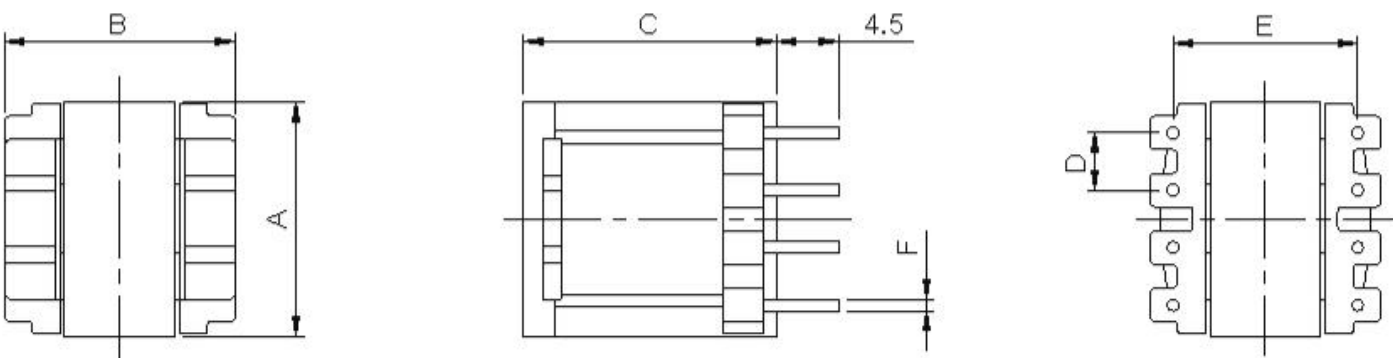


Fig. 3

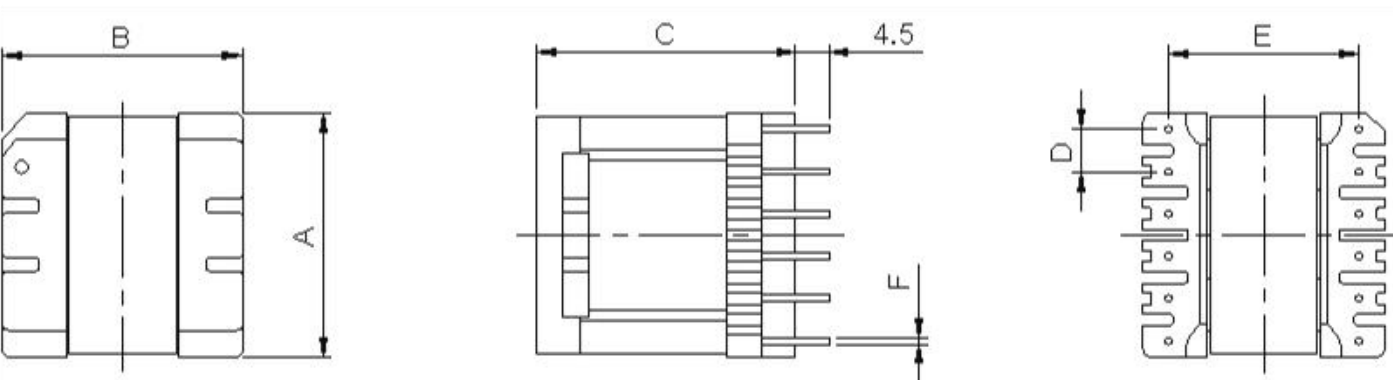
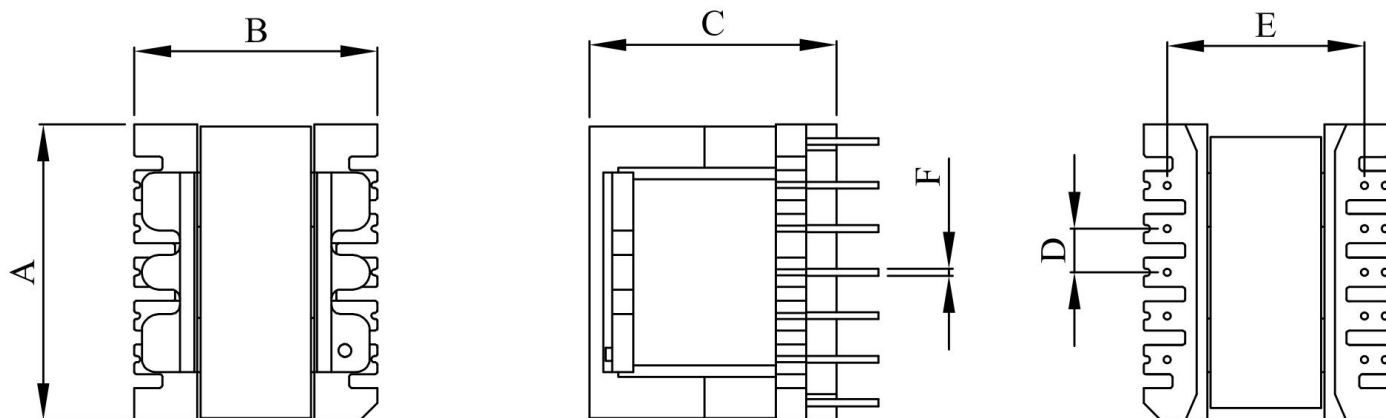


Fig. 4



THT POWER TRANSFORMERS

EI Series – Vertical

Fig. 5

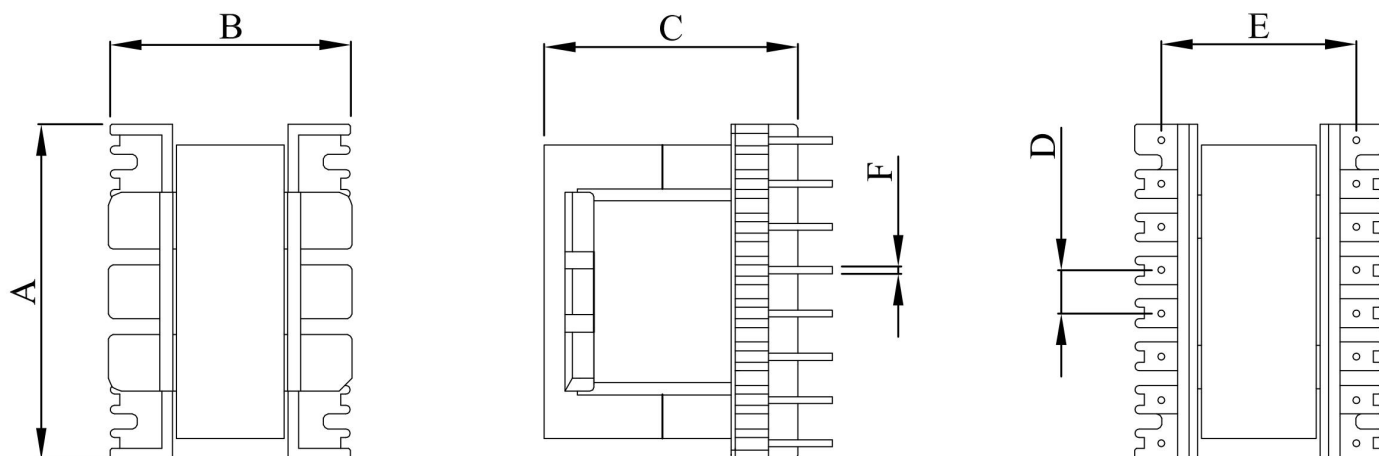


Fig. 6

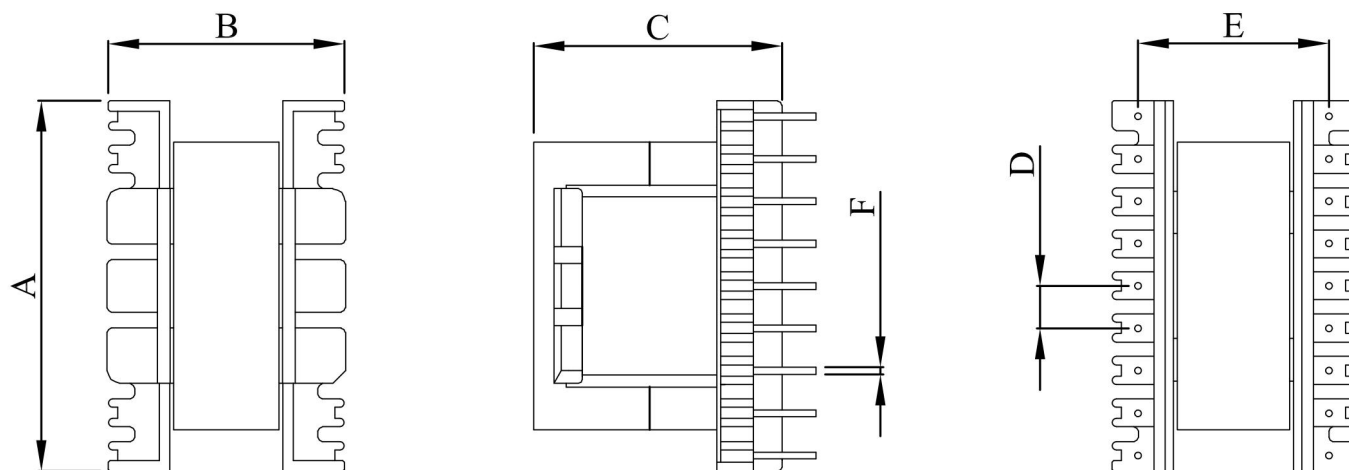
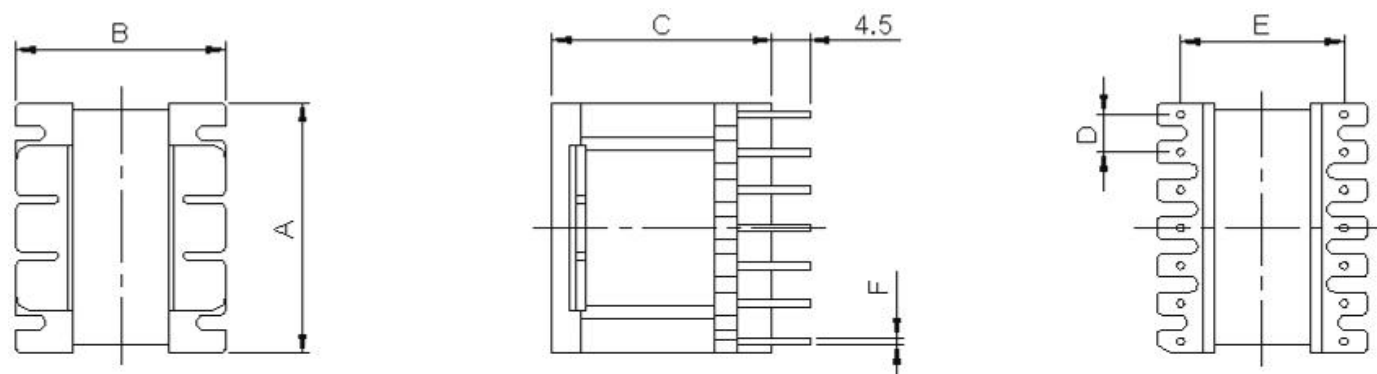


Fig. 7



THT POWER TRANSFORMERS

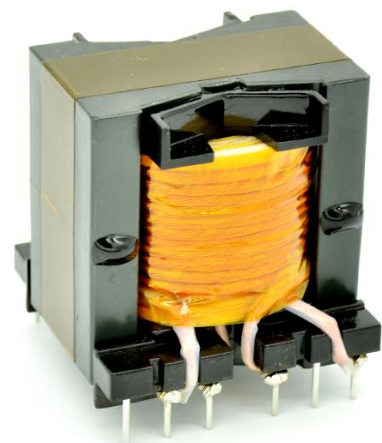
PQ Series

Features

- High power density and high efficiency/高功率密度，高效率
- Multiple-output is available/多路输出
- Operating frequency up to 500kHz/最大工作频率 500kHz
- Power up to 6kW/最大功率 6kW
- Custom designs available/客户定制

Application

- Solar inverter, Server, Amplifier/太阳能逆变器，服务器，音响功放
- Network, POE, Router/网络产品，POE，路由器
- Elevator emergency power supply, /电梯应急电源
- Electric vehicle charging pile/电动汽车充电桩电源
- Medical instrument power supply/医疗仪器电源
- Variable-frequency drive/变频器
- Industrial power supply/工业电源
- High end LED power supply/高端 LED 电源
- High end charger and USB/高端 USB 充电器
- Smart home electronics/智能家用电器
- Electrical power equipment/电力设备
- Test instrument/测试仪器



Specifications

Size	Fig.	A (Max.)	B (Max.)	C (Max.)	D (Nom.)	D1 (Nom.)	E (Nom.)	Pins (Optional)	fsw (kHz)	Power (W) ²
PQ2016	1	25	25	21	2.54	3.80	20.5	6+8	100	25-30
PQ2020	1	25	25	26	2.54	3.80	20.5	6+8	100	25-40
PQ2620	2	28	32	27	3.81	7.62	25.4	6+6	100	40-80
PQ2625	2	28	32	32	3.81	7.62	25.4	6+6	100	50-100
PQ3220	2	35	37	23	5.08	7.62	30.5	6+6	100	100-200
PQ3225	2	35	37	30	5.00	7.50	30.5	6+6	100	150-300
PQ3230	2	35	37	34	5.00	7.50	30.5	6+6	100	200-500
PQ3525	2	37	42	32	5.00	10.20	35.5	6+6	100	250-500
PQ3530	2	37	42	36	5.00	10.20	35.5	6+6	100	250-600
PQ3535	2	37	42	40	5.00	10.20	35.5	6+6	100	800-1500
PQ4040-1	2	43	42	47	5.00	15.00	38.1	6+6	100	1000-3000
PQ4040-2	3	44	42	42	5.00	--	35.5	7+7	100	1000-3000
PQ5050	2	53	53	56	7.50	12.40	45.0	6+6	100	2000-5000

1. Operating Temperature: -40°C~+125°C(Includes temperature when the coil is heated).

2. Output power is only for reference at switching frequency 100kHz

THT POWER TRANSFORMERS

PQ Series

Mechanical

Fig. 1

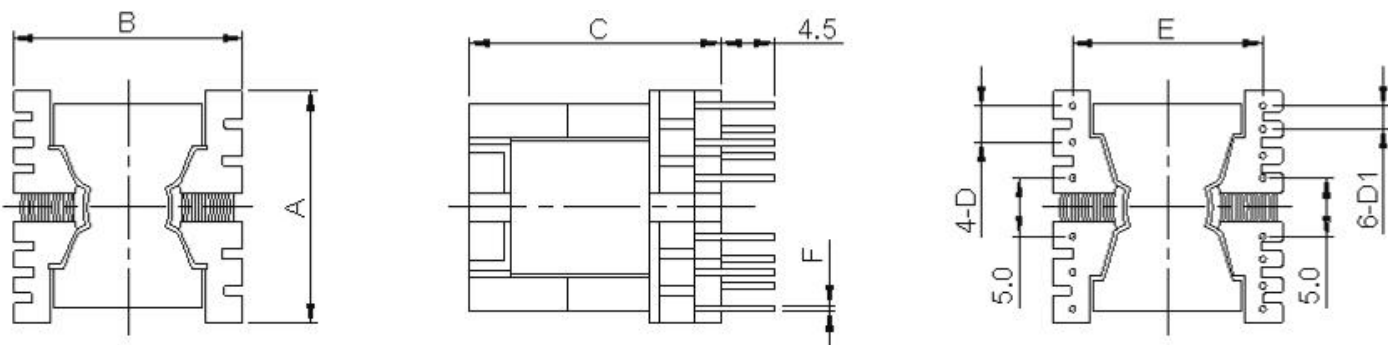


Fig. 2

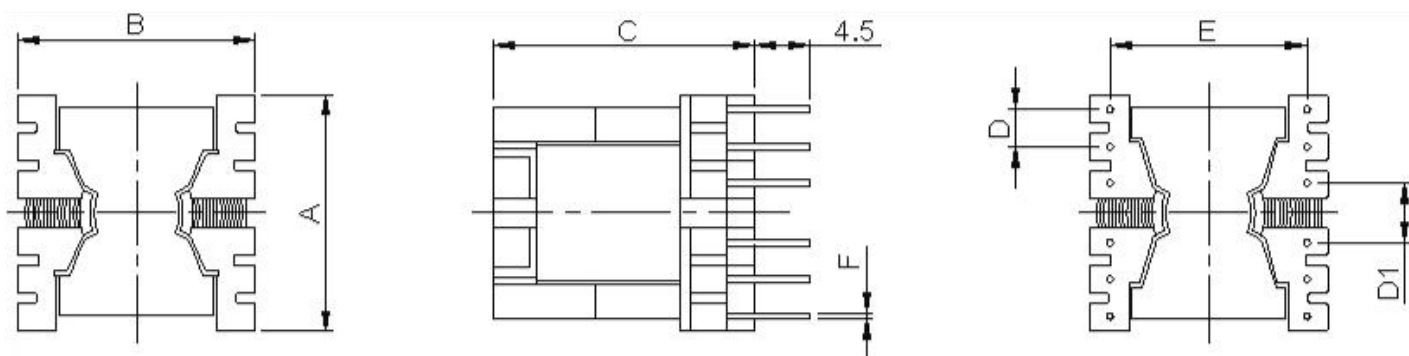
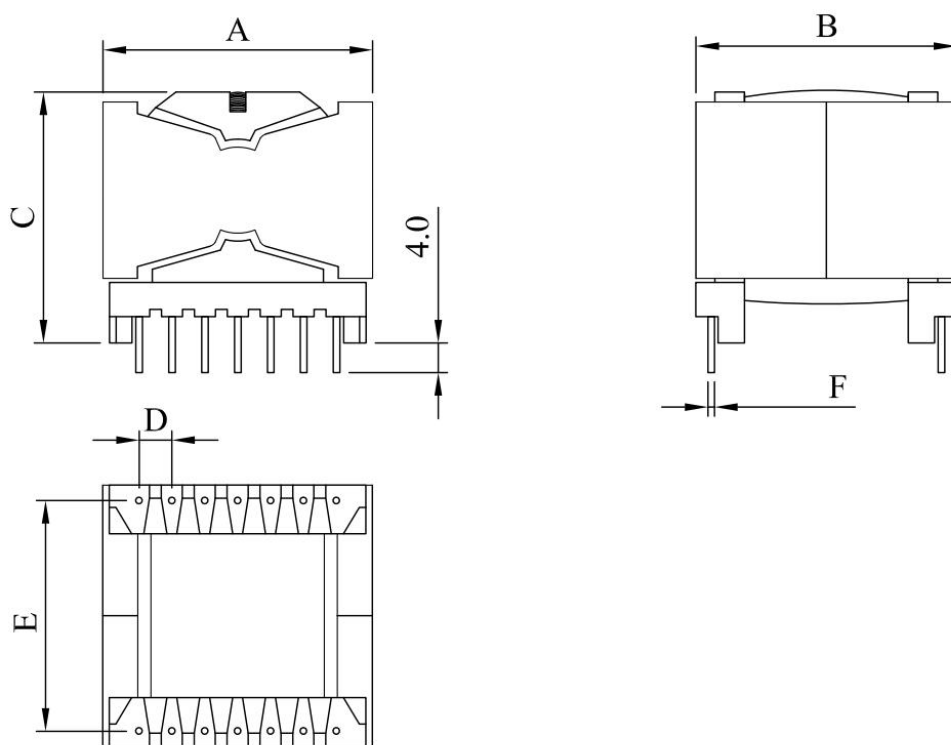


Fig. 3

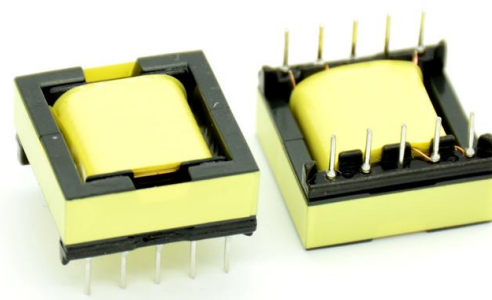


THT POWER TRANSFORMERS

EFD Series

Features

- High power density and high efficiency/高功率密度，高效率
- Multiple-output is available/多路输出
- Low height solution/低高度方案
- Operating frequency up to 500kHz/最大工作频率 500kHz
- Custom designs available/客户定制



Application

- Solar inverter, Server, Amplifier/太阳能逆变器，服务器，音响功放
- Network, POE, Router/网络产品，POE，路由器
- Elevator emergency power supply, /电梯应急电源
- Medical instrument power supply/医疗仪器电源
- Variable-frequency drive/变频器
- Industrial power supply/工业电源
- High end LED power supply/高端 LED 电源
- High end charger and USB/高端 USB 充电器
- Smart home electronics/智能家用电器
- Electrical power equipment/电力设备
- Test instrument/测试仪器

Specifications

Size	Fig.	A (Max.)	B (Max.)	C (Max.)	D (Nom.)	E (Nom.)	F (Nom.)	Pins (Optional)	fsw (kHz)	Power (W) ²
EFD15	1	16.0	17.2	9.0	3.75	13.75	Φ0.6	4+4	100	10-15
EFD20-1	1	21.5	21.5	11.5	5.0	17.5	Φ0.6	4+4	100	20-30
EFD20-2	2	21.5	21.5	11.5	3.75	17.5	Φ0.6	5+5	100	20-30
EFD25	2	26.0	27.0	16.0	5.0	22.5	Φ0.8	5+5	100	30-60
EFD30	3	31.0	32.2	17.5	5.0	27.5	Φ0.8	6+6	100	50-100

1. Operating Temperature: -40°C~+125°C(Includes temperature when the coil is heated).

2. Output power is only for reference at switching frequency 100kHz.

THT POWER TRANSFORMERS

EFD Series

Mechanical

Fig. 1

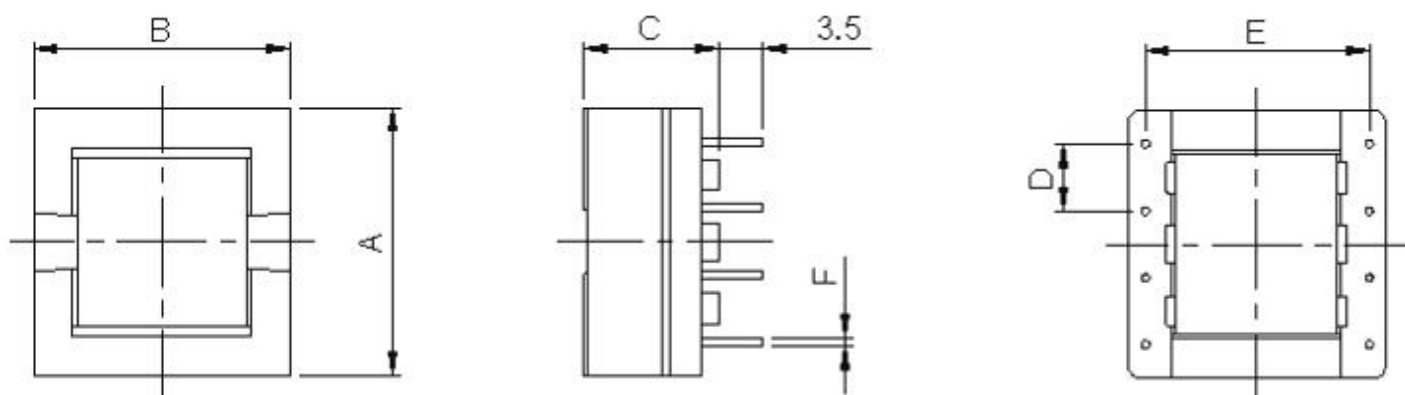


Fig. 2

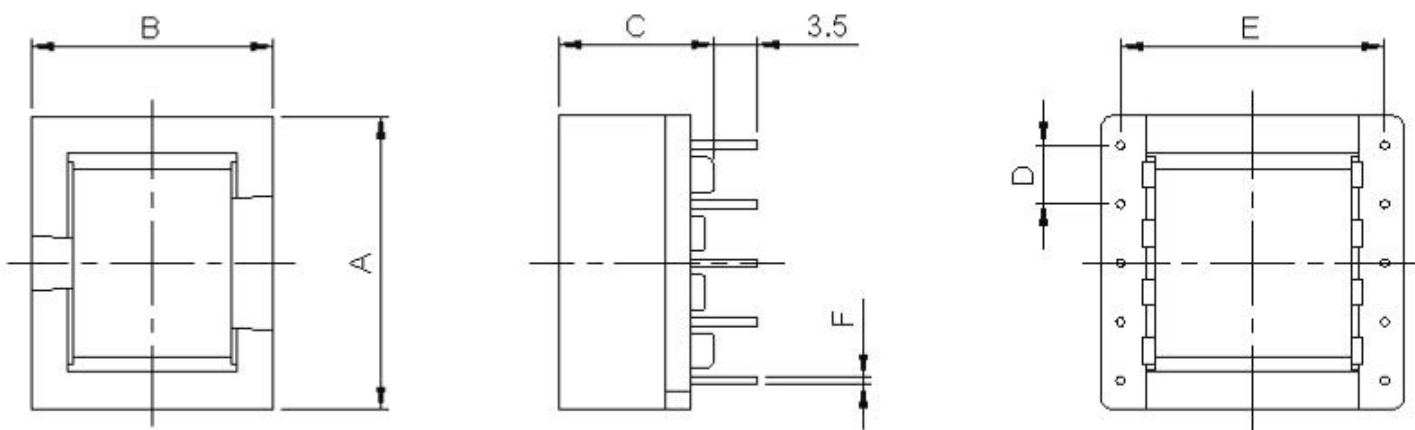
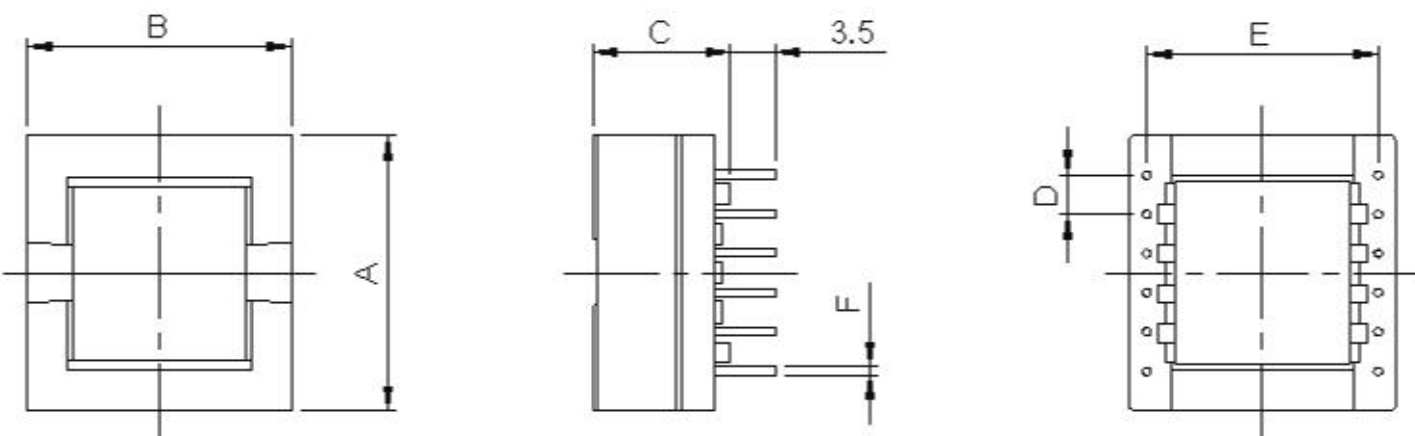


Fig. 3

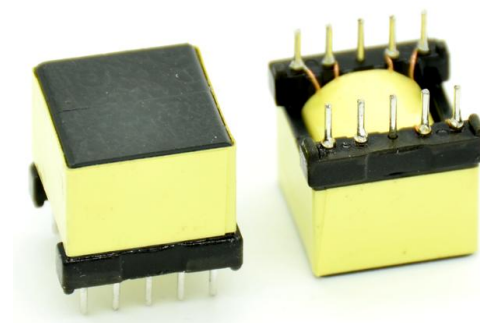


THT POWER TRANSFORMERS

EP Series

Features

- High power density and high efficiency/高功率密度，高效率
- Multiple-output is available/多路输出
- Operating frequency up to 500kHz/最大工作频率 500kHz
- Custom designs available/客户定制



Application

- Network, POE, Router/网络产品，POE，路由器
- Solar inverter, Server, Amplifier/太阳能逆变器，服务器
- Medical instrument power supply/医疗仪器电源
- Variable-frequency drive/变频器
- Industrial power supply/工业电源
- High end LED power supply/高端 LED 电源
- High end charger and USB/高端 USB 充电器
- Smart home electronics/智能家用电器
- Electrical power equipment/电力设备
- Test instrument/测试仪器

Specifications

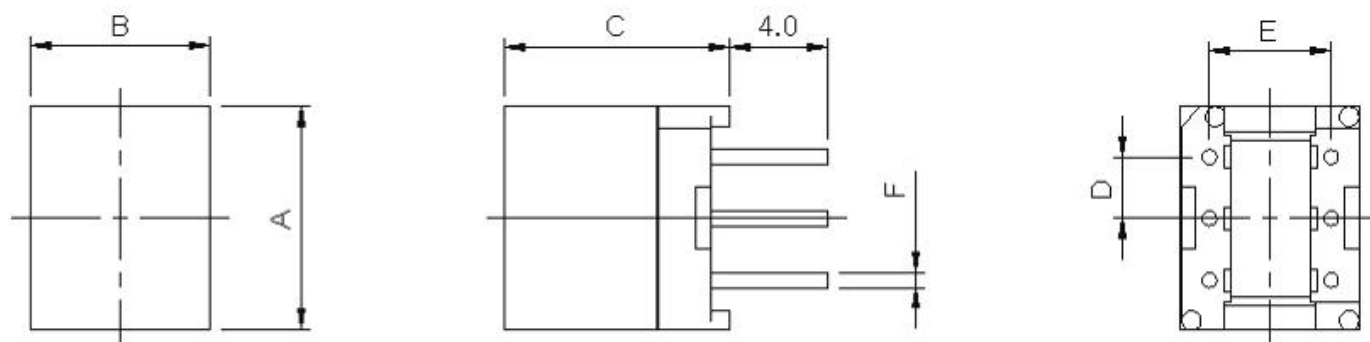
Size	Fig.	A (Max.)	B (Max.)	C (Max.)	D (Nom.)	E (Nom.)	F (Nom.)	Pins (Optional)	fsw (kHz)	Power (W) ²
EP7	1	10.2	9.0	11.0	2.54	5.08	Φ0.6	3+3	100	5-10
EP10	2	12.5	12.0	13.0	2.50	7.50	Φ0.6	4+4	100	10-15
EP13	3	15.0	14.3	14.0	2.50	10.0	Φ0.6	5+5	100	15-40
EP17	2	20.0	20.0	17.0	5.00	15.0	Φ0.6	4+4	100	25-50

1. Operating Temperature: -40°C~+125°C(Includes temperature when the coil is heated).

2. Output power is only for reference at switching frequency 100kHz.

Mechanical

Fig. 1



THT POWER TRANSFORMERS

EP Series

Fig. 2

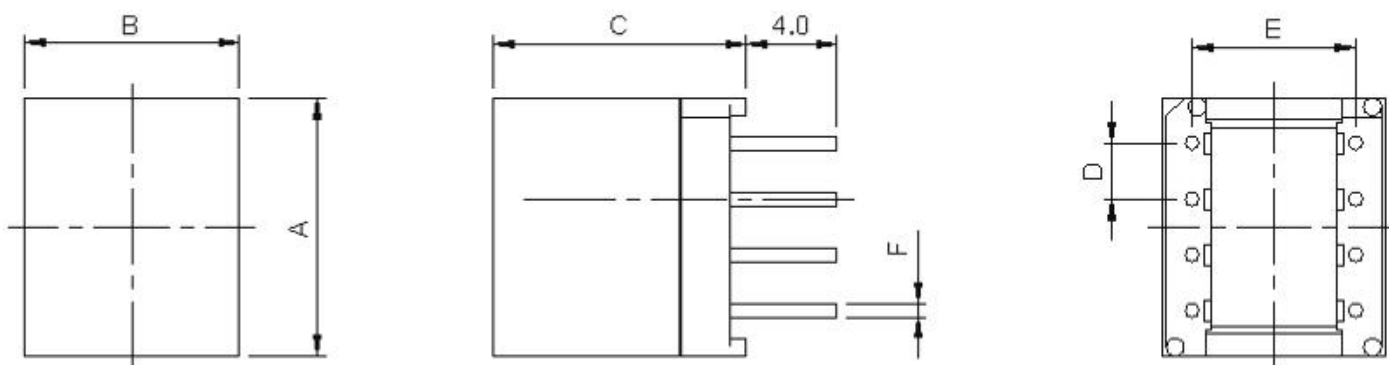
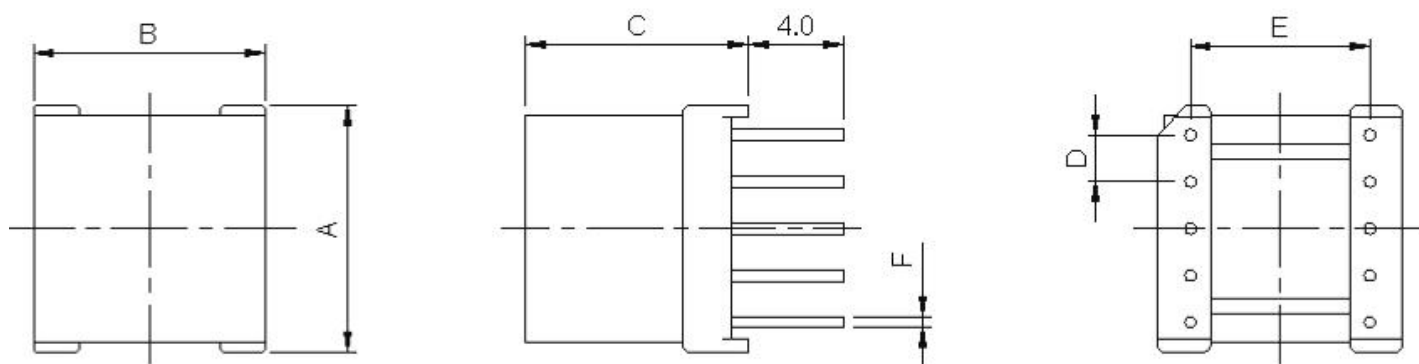


Fig. 3

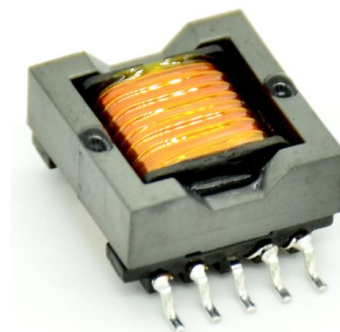


SMT POWER TRANSFORMERS

EFD Series without Cover

Features

- High power density and high efficiency/高功率密度，高效率
- Multiple-output is available/多路输出
- Operating frequency up to 500kHz/最大工作频率 500kHz
- Custom designs available/客户定制



Application

- Network, POE, Router/网络产品，POE，路由器
- Solar inverter, Server, Amplifier/太阳能逆变器，服务器，音响功放
- Medical instrument power supply/医疗仪器电源
- Variable-frequency drive/变频器
- Industrial power supply/工业电源
- Smart home electronics/智能家用电器
- Electrical power equipment/电力设备
- Test instrument/测试仪器

Specifications

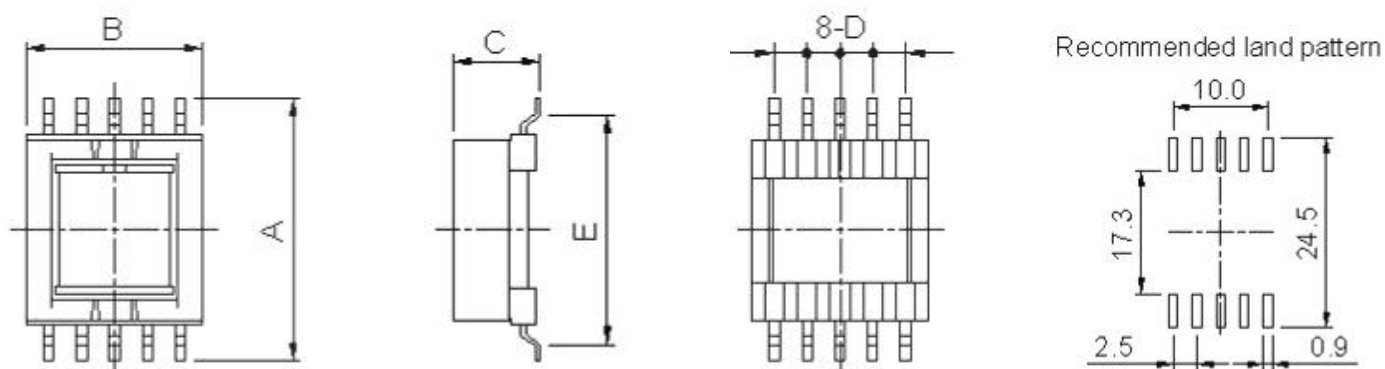
Size	Fig.	A (Max.)	B (Max.)	C (Max.)	D (Nom.)	E (Nom.)	PIN Size (Nom.)	Pins (Optional)	fsw (kHz)	Power (W) ²
SEFD15	1	23.0	16.0	9.0	2.5	18.2	0.7x0.4	5+5	100	10-15
	2	23.0	18.0	9.0	2.5	18.1	0.7x0.35	6+6	100	
SEFD20	3	26.0	22.5	11.0	3.75	23.1	1.0x0.4	5+5	100	20-40
	4	30.0	21.5	11.0	3.0	24.6	0.7x0.4	6+6	100	
SEFD25	5	33.0	26.5	14.2	5.0	29.7	1.0x0.4	5+5	100	30-60
	6	33.0	26.5	14.5	4.0	29.7	1.0x0.4	6+6	100	

1. Operating Temperature: -40°C~+125°C(Includes temperature when the coil is heated).

2. Output power is only for reference at switching frequency 100kHz.

Mechanical

Fig. 1



SMT POWER TRANSFORMERS

EFD Series without Cover

Fig. 2

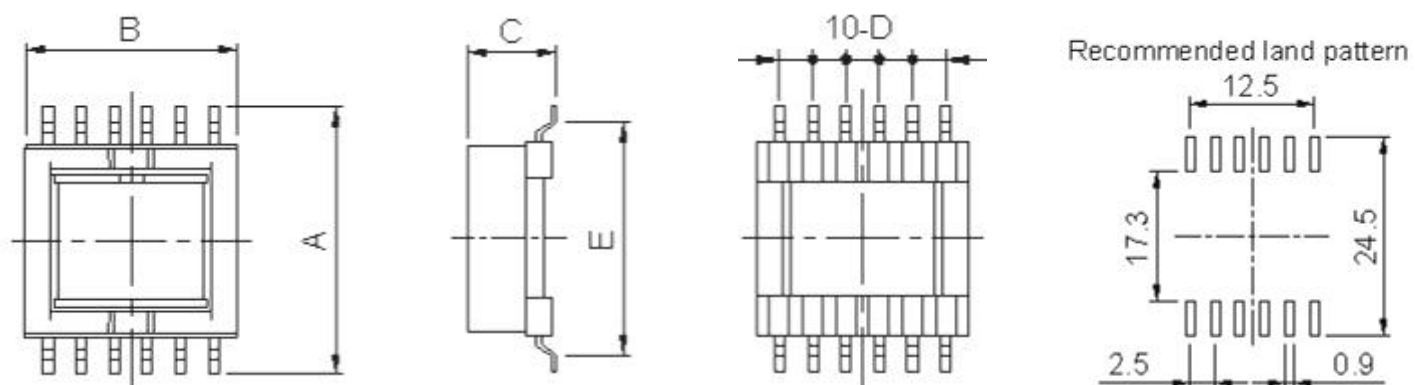


Fig. 3

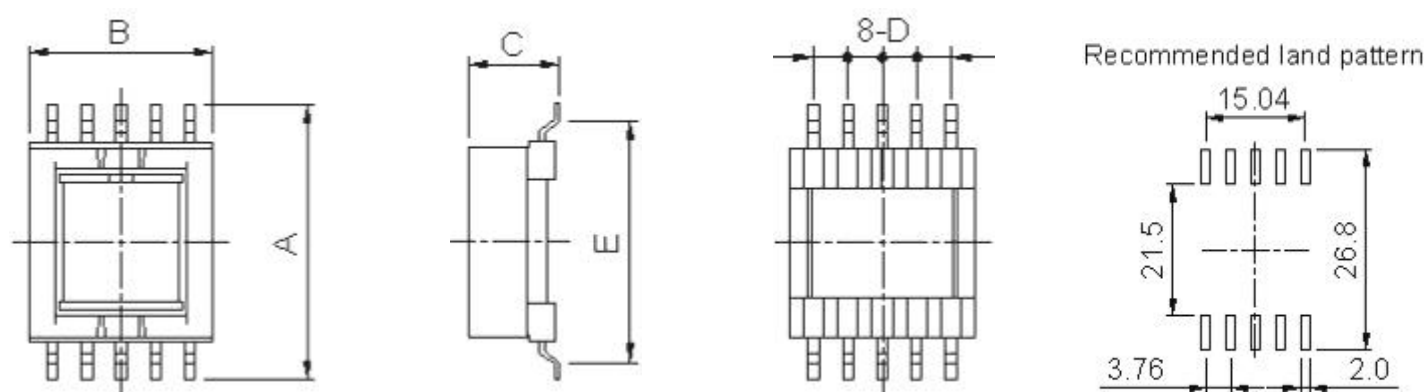
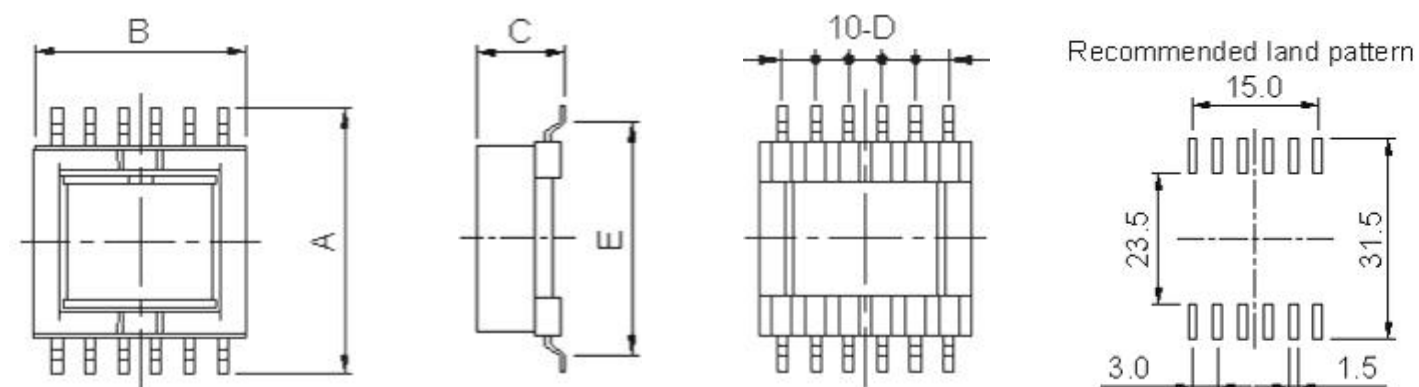


Fig. 4



SMT POWER TRANSFORMERS

EFD Series without Cover

Fig. 5

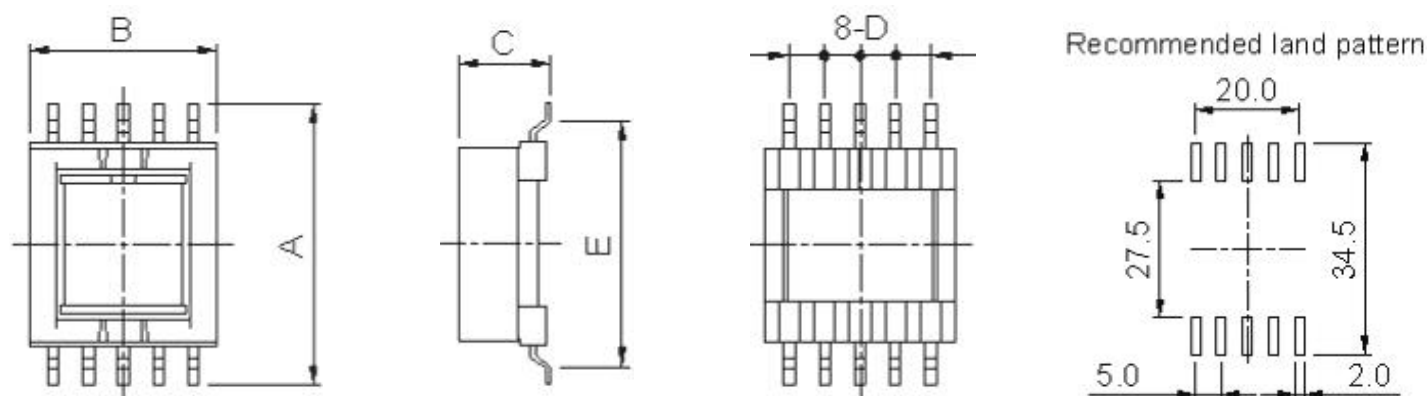
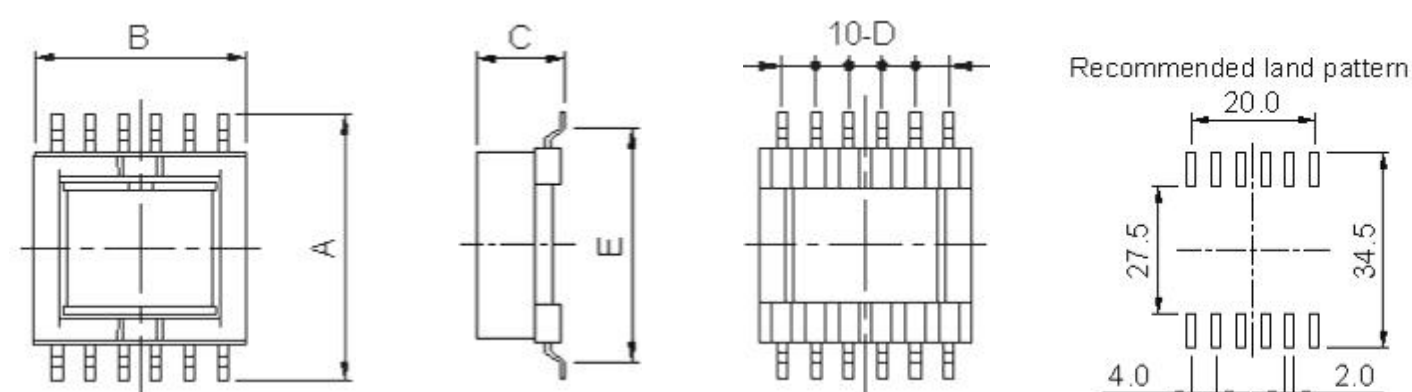


Fig. 6

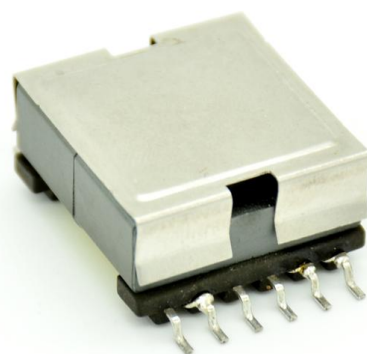


SMT POWER TRANSFORMERS

EFD Series with Cover

Features

- High power density and high efficiency/高功率密度，高效率
- Multiple-output is available/多路输出
- Operating frequency up to 500kHz/最大工作频率 500kHz
- Custom designs available/客户定制



Application

- Network, POE, Router/网络产品，POE，路由器
- Solar inverter, Server, Amplifier/太阳能逆变器，服务器，音响功放
- Medical instrument power supply/医疗仪器电源
- Variable-frequency drive/变频器
- Industrial power supply/工业电源
- Smart home electronics/智能家用电器
- Electrical power equipment/电力设备
- Test instrument/测试仪器

Specifications

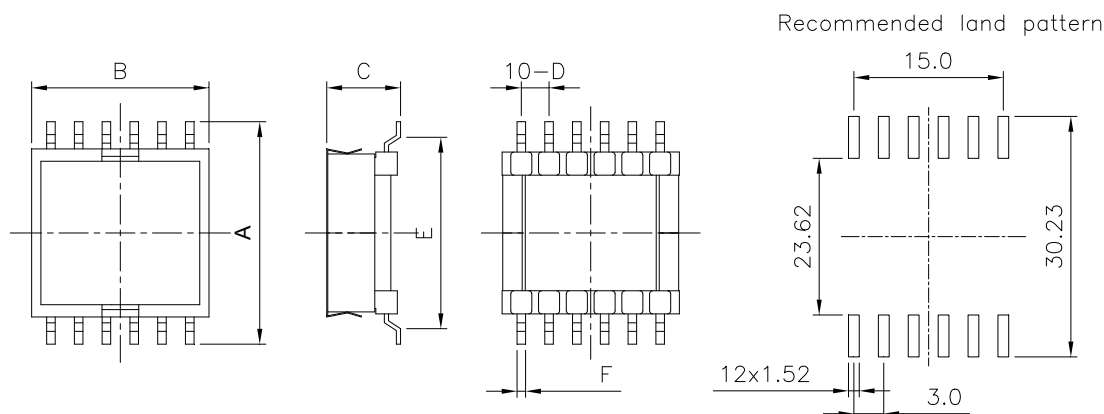
Size	Fig.	A (Max.)	B (Max.)	C (Max.)	D (Nom.)	E (Nom.)	F (Nom.)	Pins (Optional)	fsw (kHz)	Power (W) ²
SEFD15	2	23.0	18.0	10.0	2.5	18.1	0.7x0.35	6+6	100	10-15
SEFD20	1	29.5	21.5	12.5	3.0	24.6	0.7x0.4	6+6	100	20-40
SEFD25	2	33.0	27.5	15.0	4.0	29.7	1.0X0.4	6+6	100	30-60

1. Operating Temperature: -40°C~+125°C(Includes temperature when the coil is heated).

2. Output power is only for reference at switching frequency 100kHz.

Mechanical

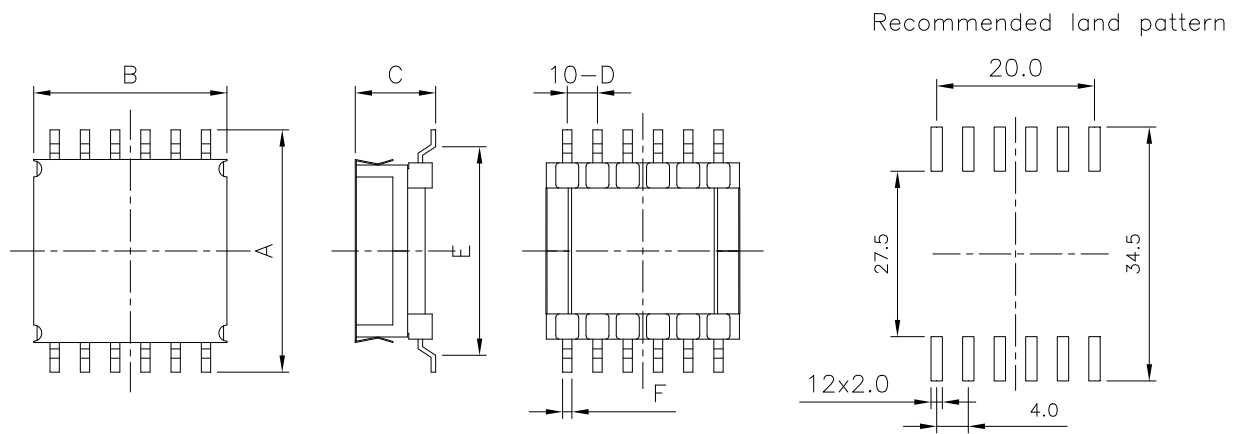
Fig. 1



SMT POWER TRANSFORMERS

EFD Series with Cover

Fig. 2

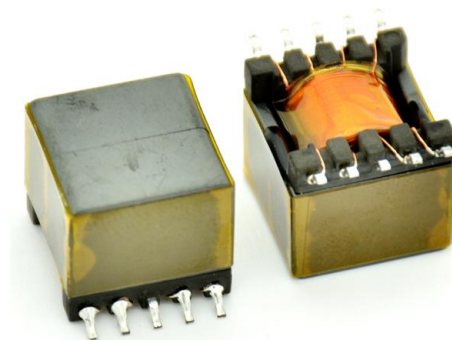


SMT POWER TRANSFORMERS

EP Series

Features

- High power density and high efficiency/高功率密度，高效率
- Multiple-output is available/多路输出
- Operating frequency up to 500kHz/最大工作频率 500kHz
- Custom designs available/客户定制



Application

- Network, POE, Router/网络产品，POE，路由器
- Solar inverter, Server, Amplifier/太阳能逆变器，服务器，音响功放
- Medical instrument power supply/医疗仪器电源
- Variable-frequency drive/变频器
- Industrial power supply/工业电源
- Smart home electronics/智能家用电器
- Electrical power equipment/电力设备
- Test instrument/测试仪器

Specifications

Size	Fig.	A (Max.)	B (Max.)	C (Max.)	D (Nom.)	E (Nom.)	E1 (Nom.)	PIN Size	Pins (Optional)	Power (W) ²
SEP7	1	14.0	11.0	9.5	2.5	10.6	-	0.7x0.25	3+3	5-10
	2	15.3	11.0	10.0	3.0	10.75	7.15	0.6x0.3	3+3	
	3	11.0	12.0	12.0	2.5	8.7	5.6	0.4x0.4	4+4	
	4	14.5	11.0	9.5	2.5	10.6	-	0.7x0.3	4+4	
SEP10	4	16.0	12.5	12.5	2.5	12.5	-	0.7x0.3	4+4	10-20
	5	18.0	12.5	13.0	2.5	13.2	9.6	0.7x0.4	4+4	
SEP13	6	18.5	14.0	13.0	2.5	15.4	-	0.7x0.4	5+5	20-40
	7	20.0	14.0	13.0	2.5	15.5	11.8	0.7x0.4	5+5	
	8	17.8	14.5	13.0	1.7/3.4	14.7	-	0.6x0.4	8+4	

1. Operating Temperature: -40°C~+125°C(Includes temperature when the coil is heated).

2. Output power is only for reference at switching frequency 100kHz.

SMT POWER TRANSFORMERS

EP Series

Mechanical

Fig. 1

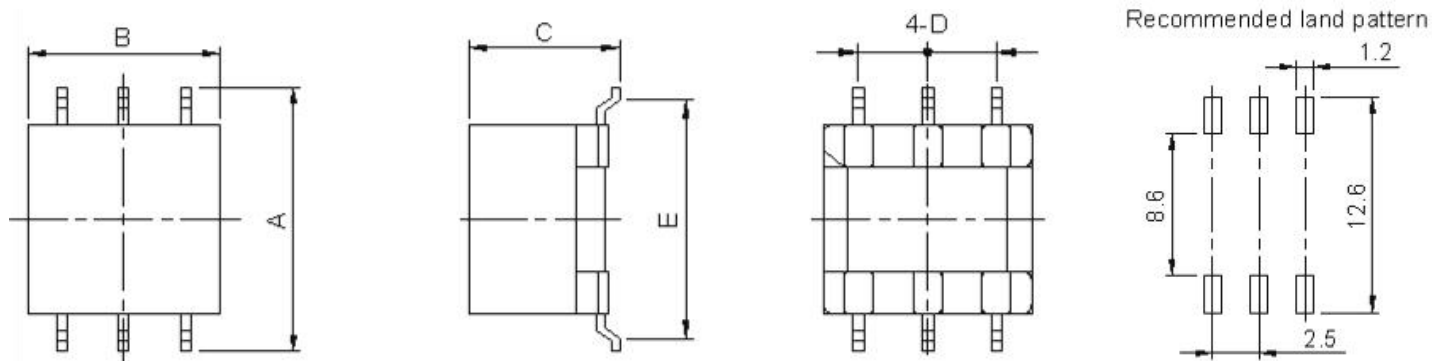


Fig. 2

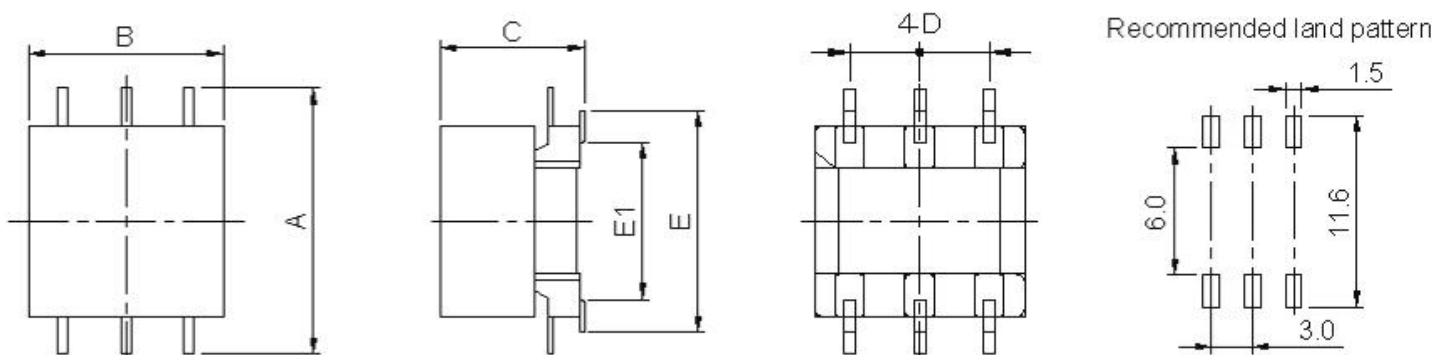


Fig. 3

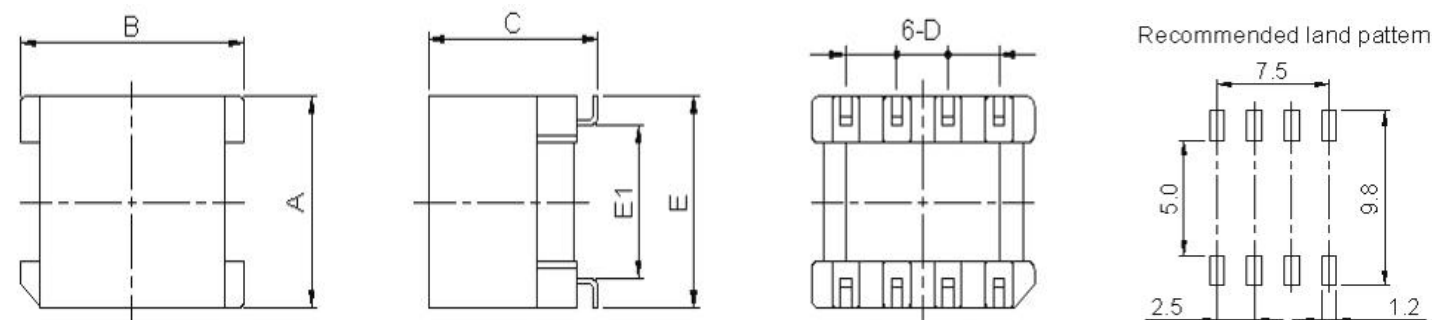
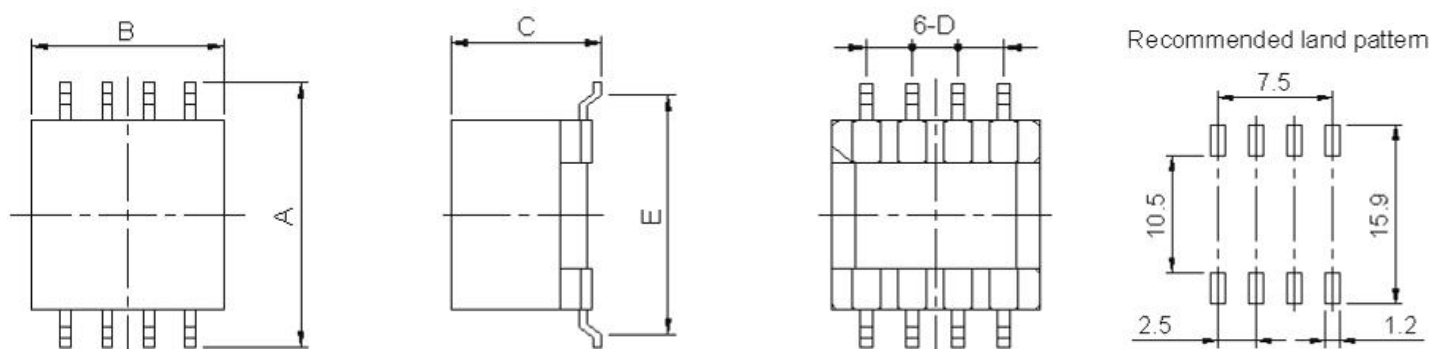


Fig. 4



SMT POWER TRANSFORMERS

EP Series

Fig. 5

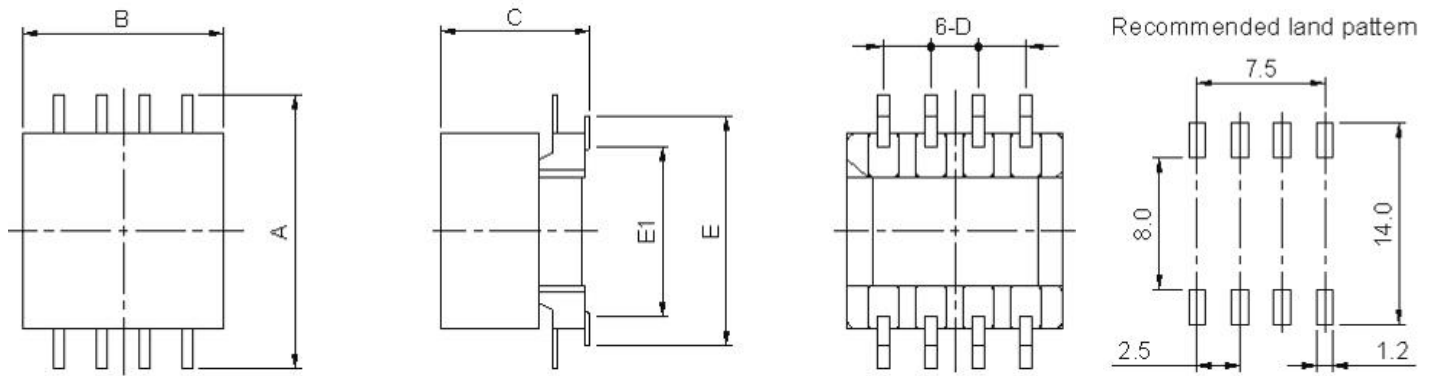


Fig. 6

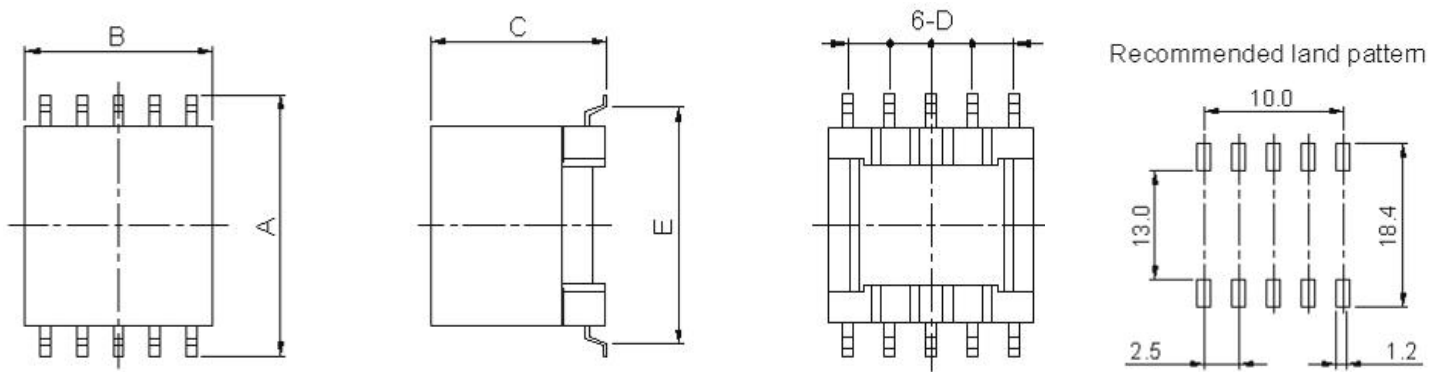


Fig. 7

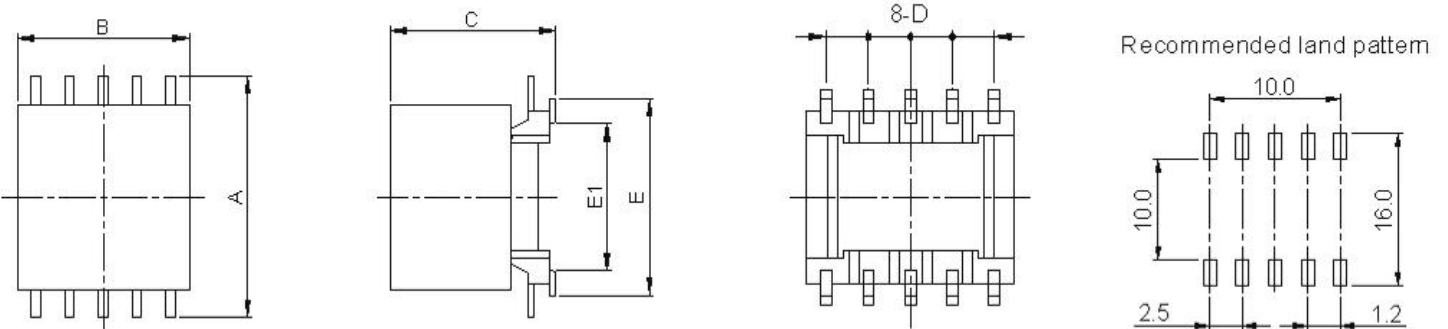
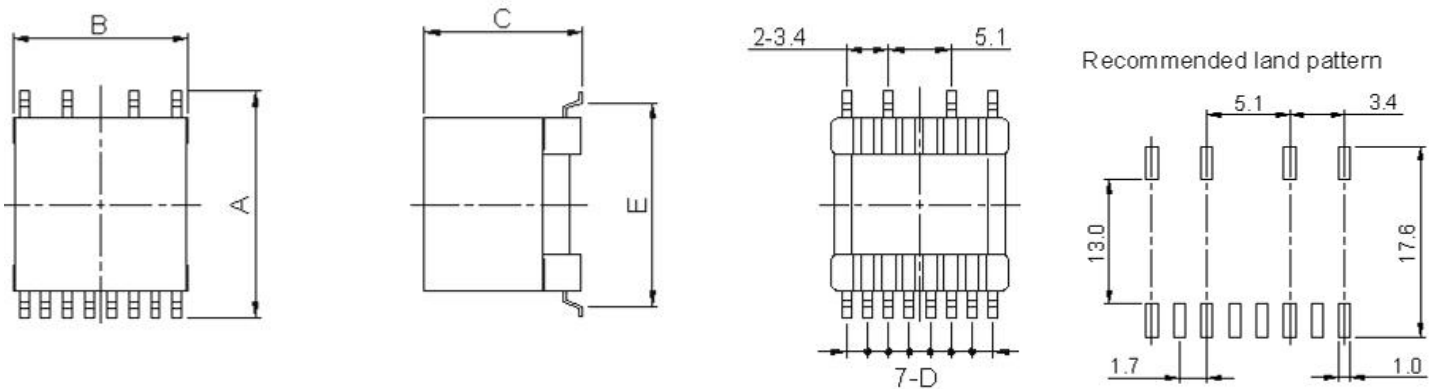


Fig. 8

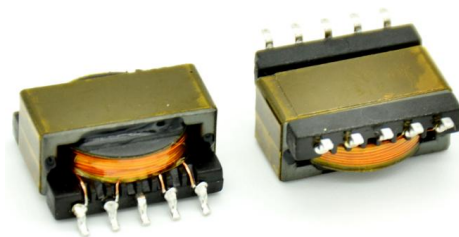


SMT POWER TRANSFORMERS

ER Series

Features

- High power density and high efficiency/高功率密度，高效率
- Multiple-output is available/多路输出
- Low height solution/低高度方案
- Operating frequency up to 500kHz/最大工作频率 500kHz
- Custom designs available/客户定制



Application

- Network, POE, Router/网络产品，POE，路由器
- Solar inverter, Server, Amplifier/太阳能逆变器，服务器，音响功放
- Medical instrument power supply/医疗仪器电源
- Variable-frequency drive/变频器
- Industrial power supply/工业电源
- Smart home electronics/智能家用电器
- Electrical power equipment/电力设备
- Test instrument/测试仪器

Specifications

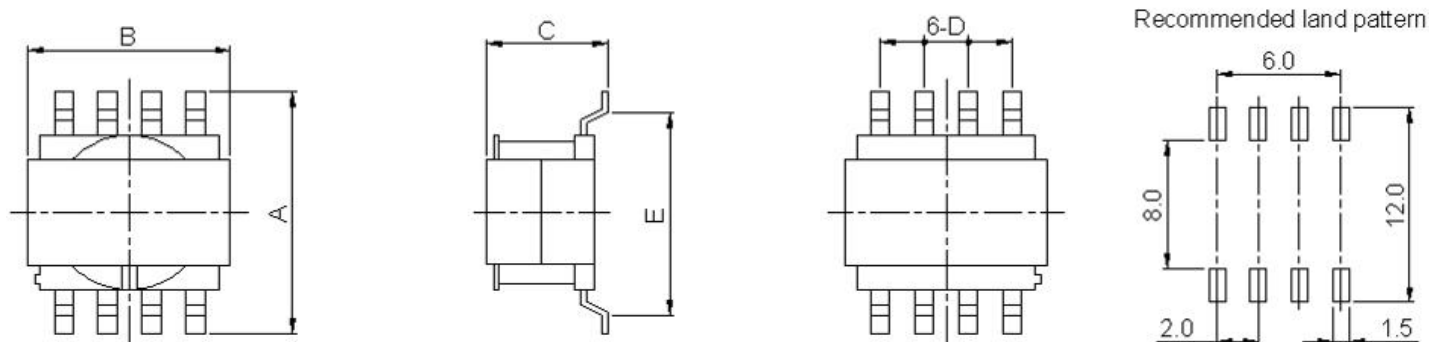
Size	Fig.	A (Max.)	B (Max.)	C (Max.)	D (Nom.)	E (Nom.)	F (Nom.)	Pins (Optional)	fsw (kHz)	Power (W) ²
SER7.5	1	11.0	8.5	6.0	1.75	7.8	0.6x0.25	4+4	100	1-3
SER9.5	1	12.5	10.5	6.5	2.0	10.1	0.7x0.25	4+4	100	3-5
SER11.5	2	13.2	11.5	6.8	2.0	11.0	0.7x0.25	4+4	100	5-8
	3	14.1	11.5	6.8	2.0	11.0	0.7x0.25	5+5	100	
SER14.5	4	17.8	15.8	7.8	2.5	14.6	0.7x0.30	5+5	100	8-15

1. Operating Temperature: -40°C~+125°C(Includes temperature when the coil is heated).

2. Output power is only for reference at switching frequency 100kHz.

Mechanical

Fig. 1



SMT POWER TRANSFORMERS

ER Series

Fig. 2

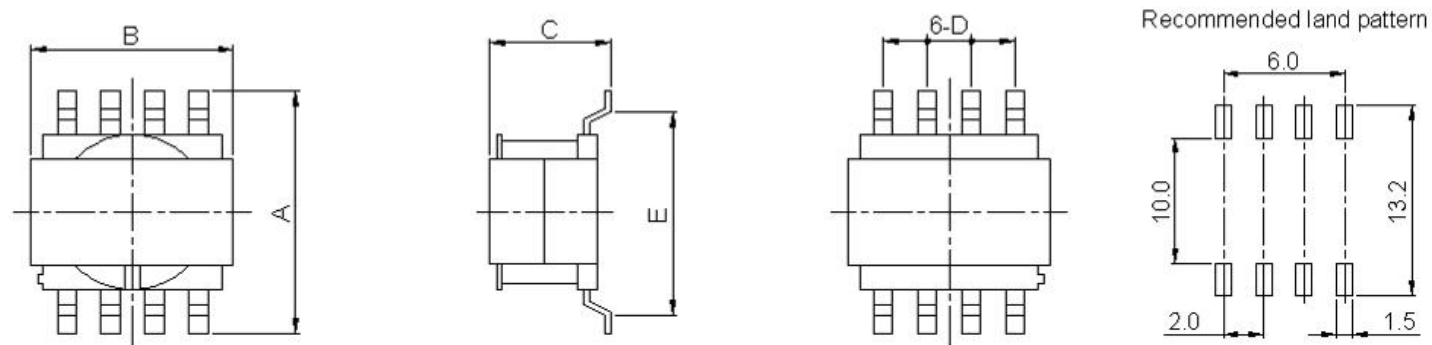


Fig. 3

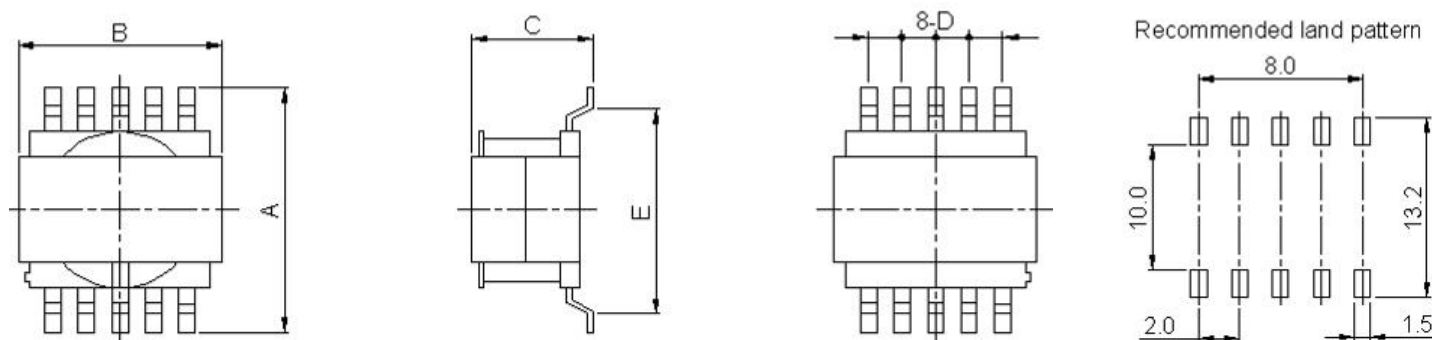


Fig. 4

